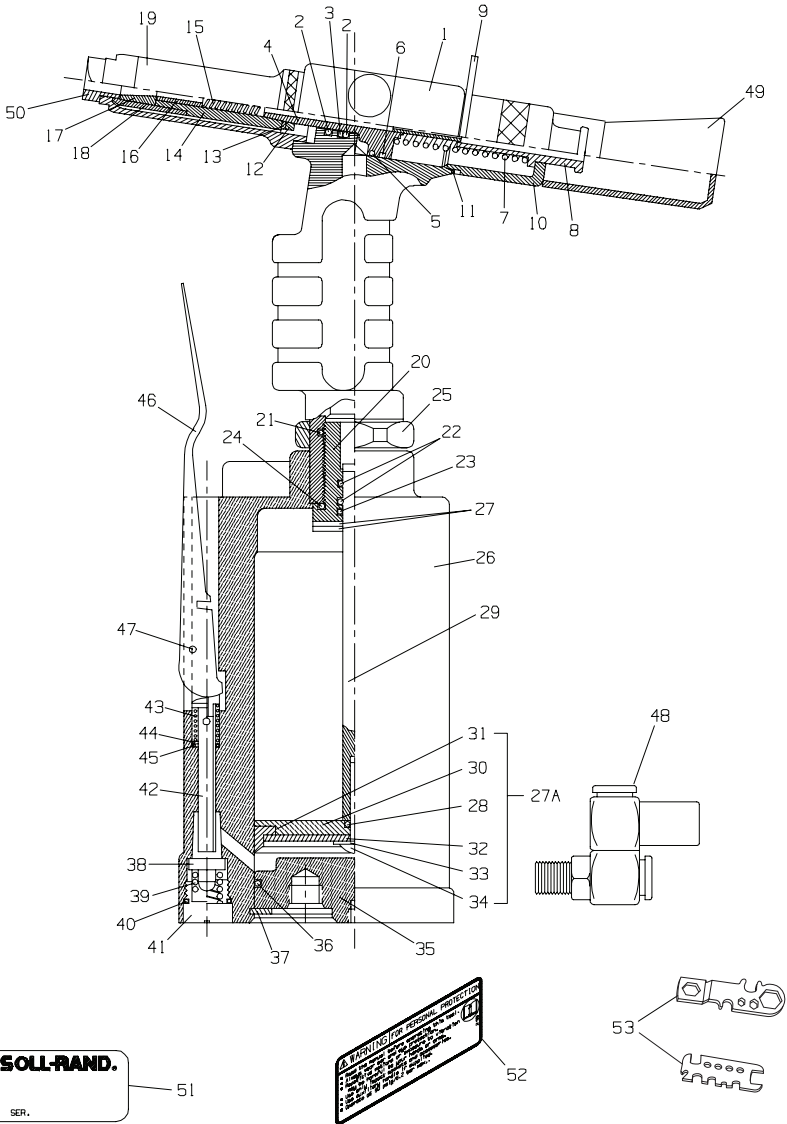


LA415 Hydraulic Riveter Exploded Diagram



(Dwg. TPB935-1)

LA415 Hydraulic Riveter Parts List

Item	Part Description	Part Number	Item	Part Description	Part Number
1	Hydraulic Frame	LA415-1	30	Plate	LA415-35
2	O-Ring	LA415-2	31	Piston Seal	LA415-36
3	Ring	LA415-4	32	Plate	LA415-37
4	Plunger	LA415-5	33	Washer	LA415-38
5	O-Ring	LA415-6	34	Nut	LA415-39
6	Ring	LA415-11	35	Cap	LA415-40
7	Spring Assembly	LA415-A8	36	O-Ring	LA415-41
8	Guide Tube	LA415-10	37	Clip Ring	LA415-42
9	Hanger	LA415-13	38	Plate	LA415-43
10	Rear Gland	LA415-14	39	Spring	LA415-44
11	O-Ring	LA415-15	40	O-Ring	LA415-45
12	Nut	LA415-16	41	Valve Ring	LA415-46
13	Washer	LA415-17	42	Valve Tube	LA415-47
14	Coupler	LA415-18	43	Spring	LA415-48
15	Spring	LA415-19	44	Washer	LA415-49
16	Jaw Pusher	LA415-20	45	O-Ring	LA415-50
17	Jaws	LA415-21	46	Lever	LA415-51
18	Jaw Housing	LA415-22	47	Roll Pin	LA415-52
19	Head	LA415-23	48	Swivel Inlet joint	LA415-53
20	Rod Guide	LA415-24	49	Deflector	LA415-54
21	O-Ring	LA415-25	50	Nose Pieces	
22	O-Ring	LA415-26		(3/32" [2.4 mm])	LA415-56
23	Ring	LA415-27		(1/8" [3.2 mm])	LA415-57
24	O-Ring	LA415-28		(5/32" [4.0 mm])	LA415-58
25	Lock Nut	LA415-29		(3/16" [4.8 mm])	LA415-59
26	Cylinder Body	LA415-30		(1/4" [6.4 mm])	LA415-60
27	Ring	LA415-31	51	Nameplate	LA415-301
27A	Piston Assembly	LA415-32	52	Warning Label	EU-99
28	Seal	LA415-33	53	Wrench (2)	LA415-55
29	Piston Stem	LA415-34			

Parts and Maintenance

When the life of the tool has expired, it is recommended that the tool be disassembled, degreased and parts be separated by material so that they can be recycled.

Tool repair and maintenance should only be carried out by an authorized Service Center.
Refer all communications to the nearest **Ingersoll Rand** Office or Distributor.

Related Documentation

For additional information refer to:
Pop Riveter Product Safety Information Manual 16576555.
Air Hydraulic Riveter Product Information Manual 03539772.

Manuals can be downloaded from www.irtools.com.