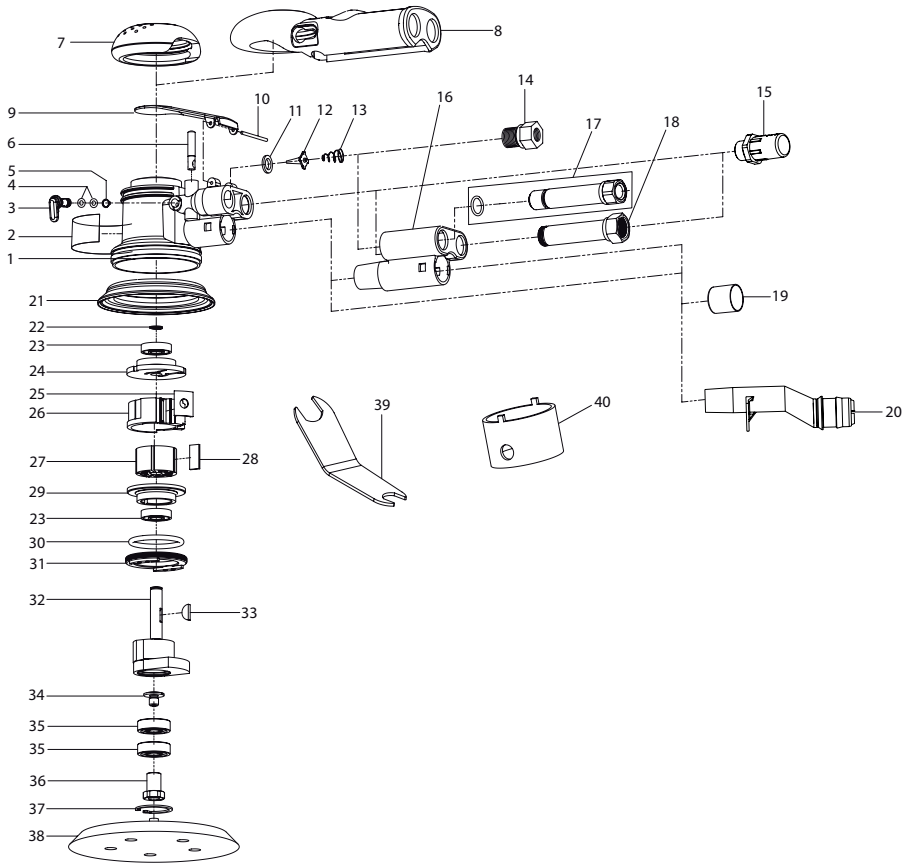


**4151-HL and 4152-HL Random Orbital Sander Exploded Diagram**



(Dwg. 80156490)

## 4151-HL and 4152-HL Random Orbital Sander Parts List

Item	Part Description	Part Number	Item	Part Description	Part Number
1	Housing Assembly	04700753	21	Shroud	
2	Label		21	Black	04648887
	4151	4151-HL-301		Red	4152-727
	4151-2	4151-HL-2-301	22	Snap Ring	04648762
	4152	4152-HL-301	23	Ball Bearing (2)	04648812
3	Regulator Assembly	4151-A165	24	Rear End Plate	04648945
4	O-Ring	4151-65	25	Cylinder Seal	04649042
5	Snap Ring	4151-797	26	Cylinder Assembly	04649976
6	Valve Stem	04648770	27	Rotor	04648820
7	Grip Ring	4151-747B	28	Vane Pack (set of 5)	48254-42-5
8	Grip Ring (4151-2)	4151-2-747BLK	29	Front End Plate	04648929
9	Lever	04655478	30	O-Ring	04649133
10	Spring Pin	04649117	31	Lock Ring	04648853
11	Valve Seat	04648804	32	Counterbalance Assembly	
12	Tip Valve	04648796		4151-HL Series (3/16")	80092810
13	Spring	04648747		4152-HL Series (3/32")	80090301
14	Inlet Adapter	04649083	33	Key	04648754
15	Muffler Assembly	4151-A810	34	Clamp	ROS-747-1
16	Extension (4151-2)	4151-2-307	35	Bearing (2)	ROS-24-1
17	Inlet Bushing (4151-2)	4151-2-A565	36	Spindle	ROS-8-1
18	Exhaust Bushing (4151-2)	4151-2-566	37	Retaining Ring	ROS-18-1
19	Port Plug	04649059	38	Sanding Pad 6" - Vacuum Ready (H & L)	VPAD-6HL
20	Vacuum Adapter		39	Pad Wrench	04648739
	25 mm (1")	4151-A809A-25	* 40	Motor Wrench	48869
	28 mm (1-1/8")	4151-A809A-28			
	32 mm (1-1/4")	4151-A809A-32			

\* Not included with tool.

### Parts and Maintenance

When the life of the tool has expired, it is recommended that the tool be disassembled, degreased and parts be separated by material so that they can be recycled.

Tool repair and maintenance should only be carried out by an authorized Service Center.

Refer all communications to the nearest **Ingersoll Rand** Office or Distributor.

### Related Documentation

For additional information refer to:

Product Safety Information Manual 04580387.

Product Information Manual 04576005.

Manuals can be downloaded from [www.irtools.com](http://www.irtools.com).