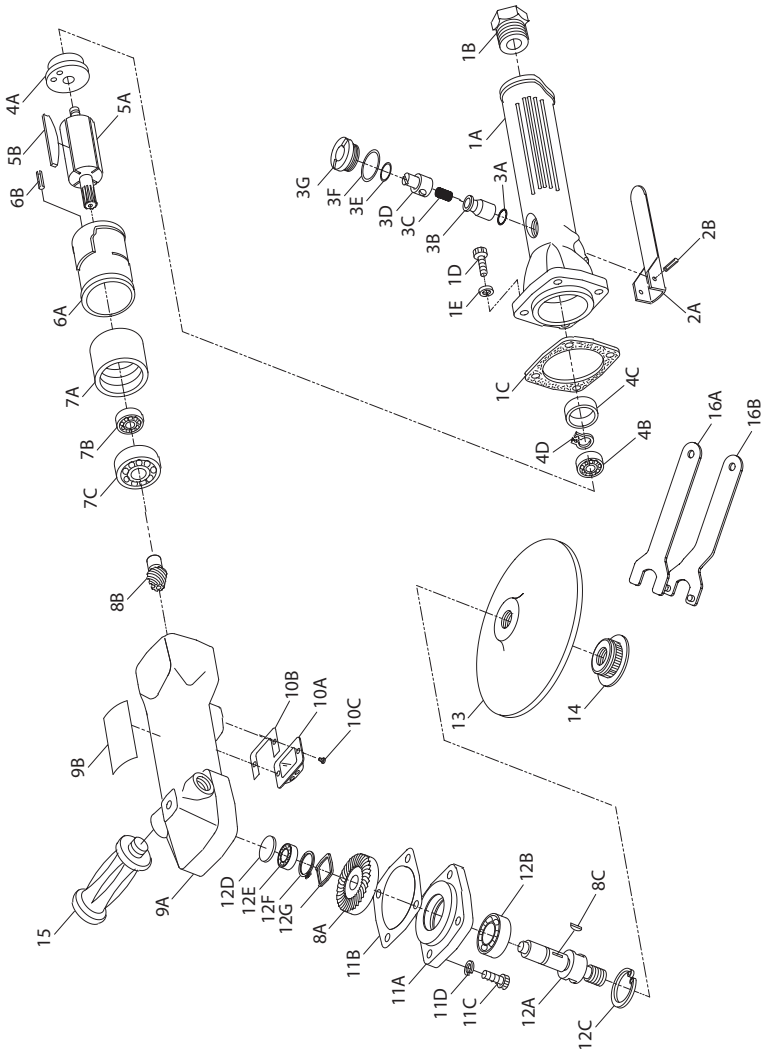


313A, 314A, and 314M Air Sander and Polisher - Exploded Diagram



(Dwg. TPB962)

313A, 314A, and 314M Air Sander and Polisher - Parts List

Item	Part Description	Part Number	Item	Part Description	Part Number
1	Throttle Handle Assembly	313A-A160	9	Angle Housing Assembly	
1A	Throttle Handle	---		for 313A	313A-A550
1B	Inlet Bushing	313A-565		for 314A	314A-A550
	Gasket Kit	313A-A283		for 314M	314M-A550
1C	Throttle Gasket	---	9A	Angle Housing	---
1D	Cap Screw	---	9B	Nameplate/Warning label	
1E	Lock Washer	---		for 313A	313A-301
2	Lever Assembly	313A-A273		for 314A	314A-301
2A	Throttle Lever	---		for 314M	314M-301
2B	Throttle Lever Pin	---	10	Exhaust Assembly	313A-A123
3	Throttle Assembly	313A-A302	10A	Exhaust Deflector	---
3A	Throttle Valve Seal	---	10B	Exhaust Gasket	---
3B	Throttle Valve	---	10C	Deflector Retaining Screw	---
3C	Throttle Valve Spring	---	11	Bearing Housing Assembly	313A-A555
3D	Speed Regulator	---	11A	Bearing Housing	---
3E	Regulator Seal	---	11B	Bearing Housing Gasket	---
3F	Valve Cap Seal	---	11C	Cap Screw	---
3G	Throttle Valve Cap	---	11D	Lock Washer	---
4	Rear End Plate Assembly	313A-A12	12	Arbor Assembly	
4A	Rear End Plate	---		for 313A and 314A	313A-A591
4B	Rotor Bearing	---		for 314M	314M-A591
4C	Bearing Rubber Cap	---		12A	Arbor
4D	Rotor Bearing Retainer	---	12B	Arbor Lower Bearing	---
5	Rotor Assembly		12C	Bearing Retaining Ring	---
	for 313A	313A-A53	12D	Bearing Cover	---
	for 314A and 314M	314A-A53	12E	Rotor Bearing	---
5A	Rotor	---	12F	Gear Retaining Ring	---
5B	Vane (4)	313A-42-4	12G	Gear Thrust Washer	---
6	Cylinder Assembly	313A-A3	13	Pad	
6A	Cylinder	---		for 313A and 314A	313A-825-7
6B	Cylinder Alignment Pin	---		for 314M	314M-825-7
7	Front End Plate Assembly	313A-A11	14	Pad Nut	
7A	Front End Plate	---		for 313A and 314A	313A-226
7B	Rotor Bearing	---		for 314M	314M-226
7C	Pinion Bearing	---		15	Dead Handle
8	Gear Assembly		16	Wrench Kit	313A-69
	for 313A	313A-A552	16A	Arbor Wrench	---
	for 314A and 314M	314A-A552	16B	Disc Wrench	---
8A	Pinion Gear	---	†18	Socket Retainer (2135TiMAX and 2135QTiMAX)	2135-425
8B	Pinion	---		Socket Retainer (2135PTiMAX and 2135QPTiMAX)	804-716
8C	Arbor Key	---			

Parts and Maintenance

When the life of the tool has expired, it is recommended that the tool be disassembled, degreased and parts be separated by material so that they can be recycled.

Tool repair and maintenance should only be carried out by an authorized Service Center.

Refer all communications to the nearest **Ingersoll Rand** Office or Distributor.

Related Documentation

For additional information refer to:

Rotary Air Sander, Polisher and Buffer Product Safety Information Manual 04580387.

Rotary Air Sander, Polisher and Buffer Product Information Manual 04580379.

Manuals can be downloaded from www.irtools.com.

