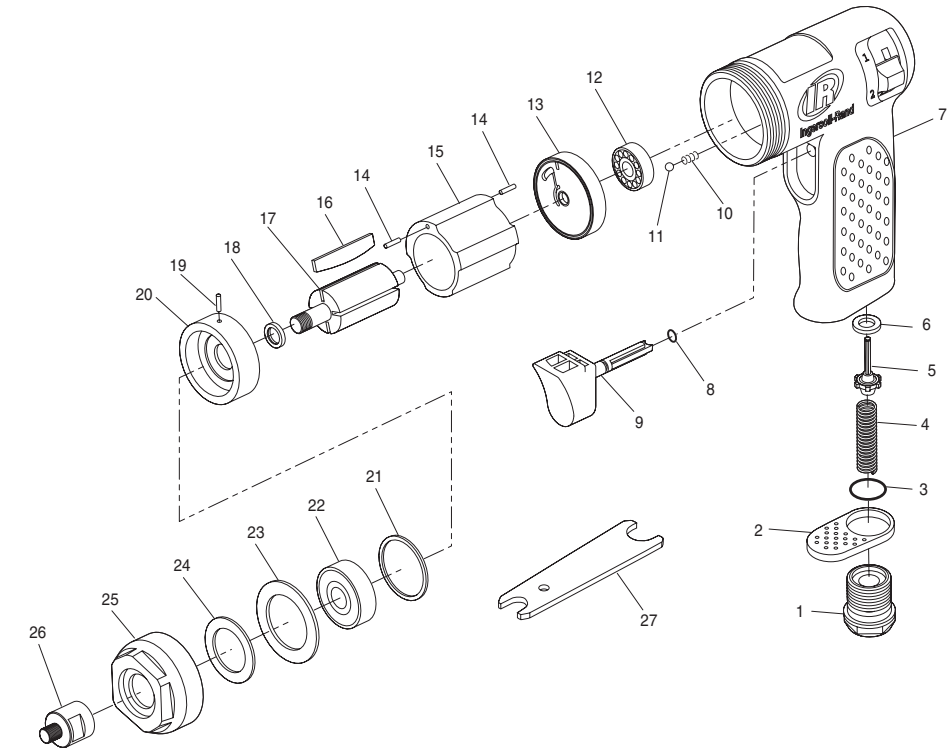


3103 Mini Surface Prep Tool Exploded Diagram



(Dwg. 16591554)

3103 Mini Surface Prep Tool Parts List

Item	Part Description	Part Number	Item	Part Description	Part Number
1	Inlet Bushing with Screen	3103-A465	16	Rotor Blade (4)	3103-42-4
2	Deflector	3103-23	17	Rotor	3103-53
3	O-Ring	3103-65	18	Rotor Collar	3103-80
4	Valve Spring	3103-51	19	Roll Pin	3103-15
5	Valve	3103-302	20	Front Plate	3103-11
6	Valve Seat	3103-303	21	Shim	3103-145
7	Motor Housing Assembly	3103-A40	22	Ball Bearing	3103-24
8	O-Ring	3103-65A	23	Washer	3103-248
9	Trigger	3103-93	24	Felt Seal	3103-31
10	Spring	7804-250	25	Clamp Nut	3103-27
11	Steel Ball	7804-722	26	Spindle	3103-8
12	Ball Bearing	3103-97	27	Spanner Wrench	3103-253
13	Rear Plate	3103-12	*	Name Plate	3103-301
14	Roll Pin (2)	3103-120-2	*	Warning Label	3103-99
15	Cylinder	3103-3			

* Not illustrated

When the life of the tool has expired, it is recommended that the tool be disassembled, degreased and parts be separated by material so that they can be recycled.

Tool repair and maintenance should only be carried out by an authorized Service Center.
Refer all communications to the nearest **Ingersoll-Rand** Office or Distributor.

Related Documentation

For additional information refer to:
Product Safety Information Manual 04580387, Product Information Manual 80181670.

Manuals can be downloaded from www.irtools.com.