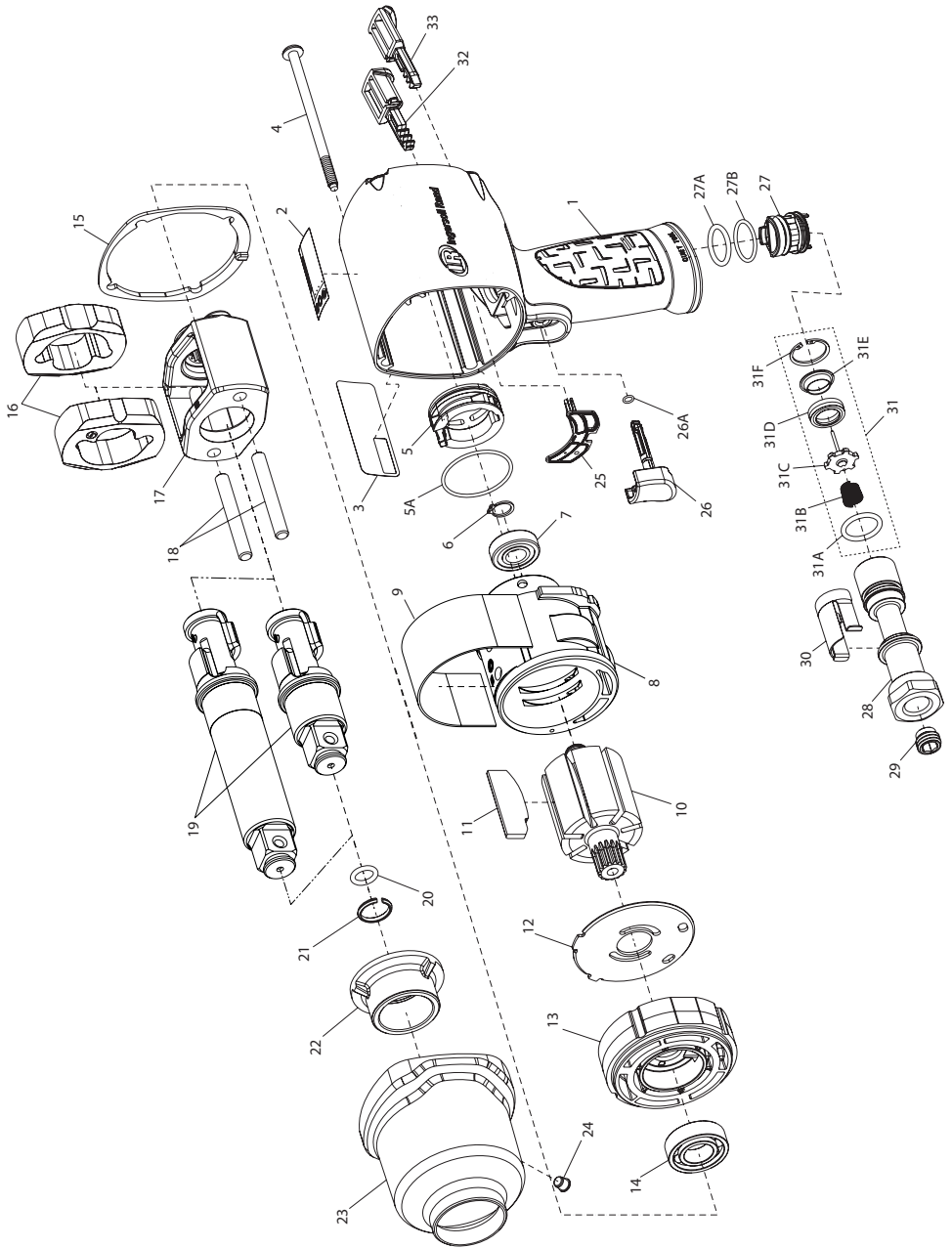


2145QiMAX and 2155QiMAX Series Air Impactool™ - Exploded View



(Dwg. 47106281)

2145QiMAX and 2155QiMAX Series Air Impactool™ - Parts List

| Item | Part Description | Part Number | Item | Part Description | Part Number |
|--------|---|-----------------|--------|---|-------------|
| * 1 | Housing Assembly | | * 1 | Hammer Case Assembly | |
| | for model 2145QiMAX | 2145QiMAX-A40 | | for models 2145QiMAX, 2145QiMAX-3, 2155QiMAX | 2145-D727 |
| | for model 2145QiMAX-3 | 2145QiMAX-3-A40 | | for model 2145QiMAX-6 | 2145-6-D727 |
| | for model 2145QiMAX-6 | 2145QiMAX-6-A40 | 22 | Bushing, Hammer Case | --- |
| | for model 2155QiMAX | 2155QiMAX-A40 | 23 | Hammer Case | --- |
| 2 | Housing | --- | 24 | Grease Fitting | --- |
| 3 | Warning Label | --- | 24 | Grease Fitting | 130SR-188 |
| 3 | Information Label | --- | † 25 | Gasket, Motor | 2141-283 |
| 25 | Gasket, Motor | --- | † * 26 | Trigger Assembly | 2145-D93BK |
| * 2 | Reverse Valve Assembly | --- | 26 | Trigger | --- |
| * 2 | Button Kit | --- | 26A | O-Ring, Trigger | --- |
| 2 | Warning Label | WARNING-2-99 | * 27 | Reverse Valve Assembly | 2141-A329 |
| 3 | Information Label | | 27 | Reverse Valve | --- |
| | for model 2145QiMAX | 2145QiMAX-300 | 27A | O-Ring, Reverse Valve (Top-Black) | --- |
| | for model 2145QiMAX-3 | 2145QiMAX-3-300 | 27B | O-Ring, Reverse Valve (Bottom-Blue) | --- |
| | for model 2145QiMAX-6 | 2145QiMAX-6-300 | * 28 | Inlet Bushing Assembly | 2145-D565 |
| | for model 2155QiMAX | 2155QiMAX-300 | 28 | Inlet Bushing | --- |
| 4 | Screw, Hammer Case (4 required) | 2141-638 | † 29 | Inlet Pre-Screen | 2145-61A |
| * 5 | Power Regulator Assembly | 2135-D249A | 30 | Inlet Clip | 2141-57 |
| 5 | Power Regulator | --- | 31 | Inlet Parts Kit | 2141-K303 |
| 5A | O-Ring, Power Regulator | --- | 31A | O-Ring, Seal | --- |
| 6 | Retaining Ring | 2131-6 | 31B | Throttle Spring | --- |
| 7 | Ball Bearing (Cylinder) | 2131-97 | 31C | Throttle Valve | --- |
| 8 | Cylinder | 2141-3 | 31D | Valve Seat | --- |
| 9 | Silencer | 2145Q-311 | 31E | Seat Support | --- |
| 10 | Rotor | 2145-53 | 31F | Retainer | --- |
| † 11 | Vane Pack (set of 7) | 2145-42-7 | * 32 | Button Kit | 2145-K75RD |
| 12 | Wear Plate | 2145-11X | 32 | Forward Button | --- |
| 13 | End Plate | 2145-11 | 33 | Reverse Button | --- |
| 14 | Ball Bearing (End Plate) | R38P-606 | * 5A | Tune-Up Kit | 2145-TK2 |
| † 15 | Hammer Case Gasket | 2145-36RD | 6 | O-Ring, Power Regulator | --- |
| * 16 | Hammer Mechanism Kit | 2145-THK2 | 7 | Retaining Ring | --- |
| 16 | Hammer (2) | --- | 7 | Ball Bearing (Cylinder) | --- |
| 17 | Hammer Frame | --- | 11 | Vane Pack (set of 7) | --- |
| 18 | Hammer Pin (2) | --- | 14 | Ball Bearing (End Plate) | --- |
| * 19 | Anvil Assembly | | 15 | Hammer Case Gasket | --- |
| | for model 2145QiMAX | 2145-A626 | 25 | Gasket, Motor | --- |
| | for model 2145QiMAX-3 | 2145-A626-3 | 26A | O-Ring, Trigger | --- |
| | for model 2145QiMAX-6 | 2145-A626-6 | 27A | O-Ring, Reverse Valve (Top-Black) | --- |
| | for model 2155QiMAX | 2155-A626 | 27B | O-Ring, Reverse Valve (Bottom-Blue) | --- |
| 19 | Anvil | --- | 31 | Inlet Parts Kit | --- |
| * 20 | Socket Retainer Kit | --- | * 21 | Inlet Clip Removal Tool | 2131-322 |
| † * 21 | Socket Retainer Kit | | * 22 | Socket Retention Ring (3/4" Anvil) | RR100345 |
| | for models 2145QiMAX, 2145QiMAX-3 and 2145QiMAX-6 (3/4" Ring-type) | 2145-K425 | * 23 | Socket Retention Ring (1" Anvil) | RR100155 |
| | for model 2155QiMAX (1" Ring-type) | 2155-K425 | † * 24 | Air Care Kit (grease gun, grease, oil) | 115-LBK1 |
| 20 | O-Ring | --- | * 25 | Grease (replacement tube for -LBK1) | 115-4T |
| 21 | Socket Retainer | --- | * 26 | Air Tool Oil (4 oz. bottle) | 1024 |
| 22 | Bushing, Hammer Case | | * 27 | Grease (1 lb can) | 105-1LB |
| | for models 2145QiMAX, 2145QiMAX-3, 2155QiMAX | 2145-641 | * 28 | Grease (8 lb can) | 105-8LB |
| | for model 2145QiMAX-6 | 2145-6-641 | * 29 | Grease Gun | R000A2-228 |

* Not Illustrated

† To keep downtime to a minimum, it's desirable to have certain repair parts on hand. We recommend that you stock one (pair or set) of each part indicated by a (†) for every four tools in service.

Parts and Maintenance

When the life of the tool has expired, it is recommended that the tool be disassembled, degreased and parts be separated by material so that they can be recycled.

Tool repair and maintenance should only be carried out by an authorized Service Center.

Refer all communications to the nearest **Ingersoll Rand** Office or Distributor.

Related Documentation

For additional information refer to:

Air Impact Wrench Product Safety Information Manual 04580916.

Air Impact Wrench Product Information Manual 47103767.

Manuals can be downloaded from www.ingersollrandproducts.com.



www.ingersollrandproducts.com
© 2011 **Ingersoll-Rand** Company

47103759
Edition 2
August 2011