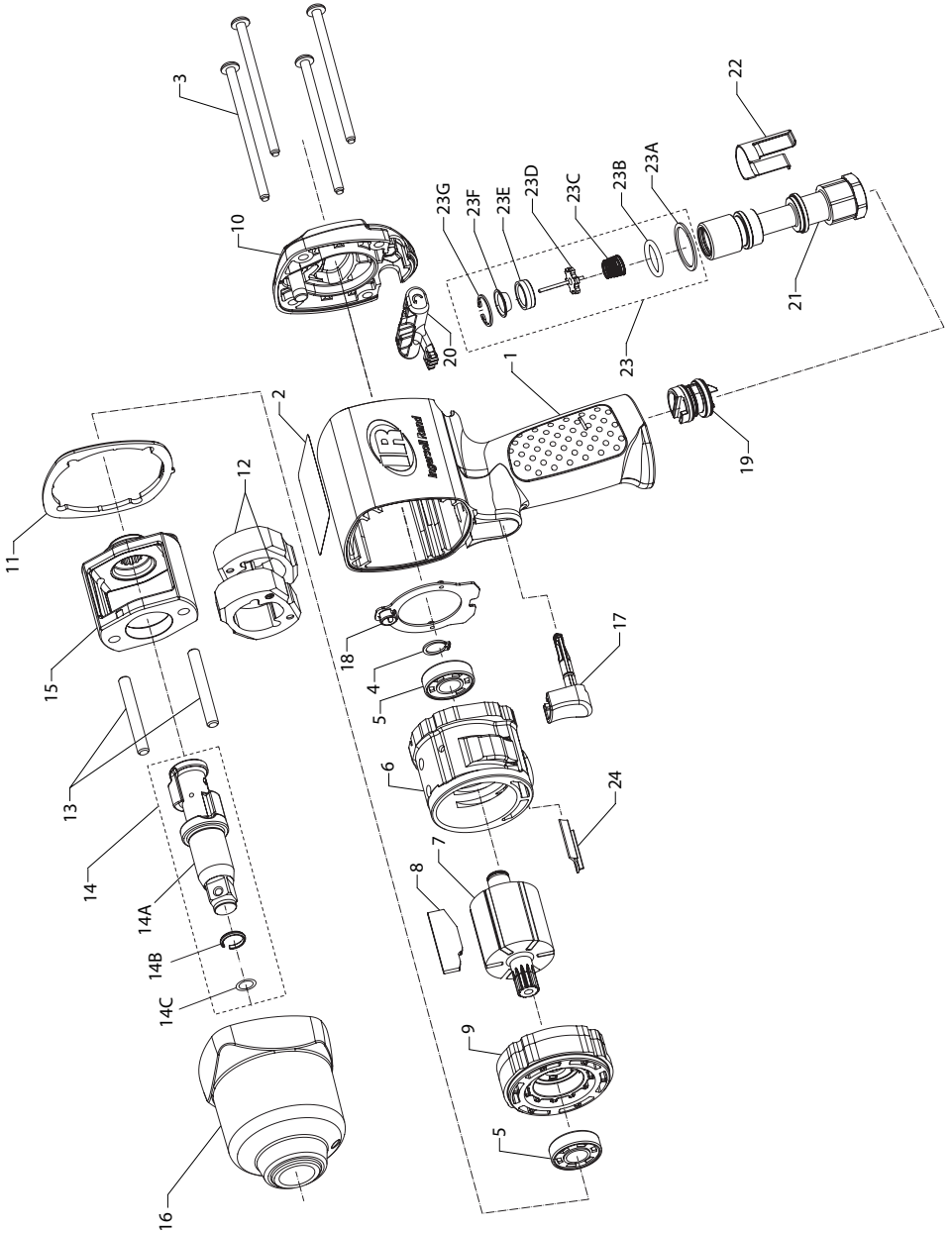


2130XP-TL Air Impact Wrench - Exploded View



(Dwg. 46812251)

2130XP-TL Air Impact Wrench - Parts List

Item	Part Description	Part Number	Item	Part Description	Part Number
*	Housing Assembly	2130XPTL-A40	*	Kit Grease	IR105
1	Housing	---	16	Hammer case Assembly	2130-D727A
2	Nameplate/Warning Label	2130XP-TL-301	17	Trigger Assembly	2130-D1093
3	Screw Hammer Case (4 required)	2130-638	18	Motor Gasket	2130-283
4	Retaining Ring	2131-6	19	Reverse Valve Assembly	2130-D329
5	Ball Bearing (2 required)	402-22	20	Reverse Button	2130-1075
6	Cylinder	2130XPTL-3	*	Inlet Bushing Assembly	2131-D565
7	Rotor	2131-53	21	Inlet Bushing	2131-565
8	Vane Pack (set of 6)	2131-42A-6	22	Inlet Clip	2131-57
9	End Plate	2131-11	23	Inlet Parts Kit	2131-K303
10	Rear Cap	2130XPTL-2012	23A	Washer	2131-286
*	Impact Mechanism Kit (2130XPTL)	2130XPTL-IMK1	23B	O-Ring, Seal	2131-566
11	Hammer Case Gasket	2130-36	23C	Spring	2131-51
12	Hammer (2)	231XP-724	23D	Valve	2131-302
13	Hammer Pin (2)	2131-704	23E	Seat	2131-303A
14	Anvil Assembly	2130XPTL-A626	23F	Support	2131-306
14A	Anvil	2130XPTL-626	23G	Retainer	2131-340
14B	Socket Retaining Spring	231-425A	24	Inlet baffle	2130-318
14C	O-Ring	R1A-159	*	Tune-Up Kit (includes 4, 5, 8, 11, 17, 18, 19, 23)	2130-TK1
15	Hammer Frame	2131-703	*	Inlet Clip Removal Tool	2131-322

* Not Illustrated.

Parts and Maintenance

When the life of the tool has expired, it is recommended that the tool be disassembled, degreased and parts be separated by material so that they can be recycled.

Tool repair and maintenance should only be carried out by an authorized Service Center.

Refer all communications to the nearest **Ingersoll Rand** Office or Distributor.

Related Documentation

For additional information refer to:

Air Impact Wrench Product Safety Information Manual 45528239.

Air Impact Wrench Product Information Manual 46812228.

Manuals can be downloaded from www.ingersollrandproducts.com