

Scissor lift

Under floor | *Item No.: TW S3-18 U*

3000 kg

Autom.

400 V



TW S3-18 U << Scissor lift

Description

Scissor lift TW S3-18 U designed for under floor assembly. Ground level. It is the perfect lift for very low sports cars. Extendable runways (400 mm) allow you to lift vehicles with a long wheelbase.

Features

- 1A Quality built with CE-Certificate
- Manufactured in accordance to ISO 9001
- Acoustic Warning signal (foot protection)
- Hydraulic cylinders for powerful lifting and lowering
- High quality solid construction
- Automatic safety-lock-release system
- Platform extensions 400 mm
- Emergency lowering valve
- **NEW: ANTI LIFT UP-Button** for precise lifting of the platform. This button temporarily overrides the automatic / time switching relays of the platform



NEW: ANTI LIFT UP-Button



Delivery contents

- Lift incl. Power unit
- Rubber blocks
- Heavy duty anchor bolts (8 pcs.)
- English instruction manuals
- Examination book | CE-Certificate
- *Product video online*
- *Assembly video online*



Product video



Assembly video



optionally available:



TW S3-V



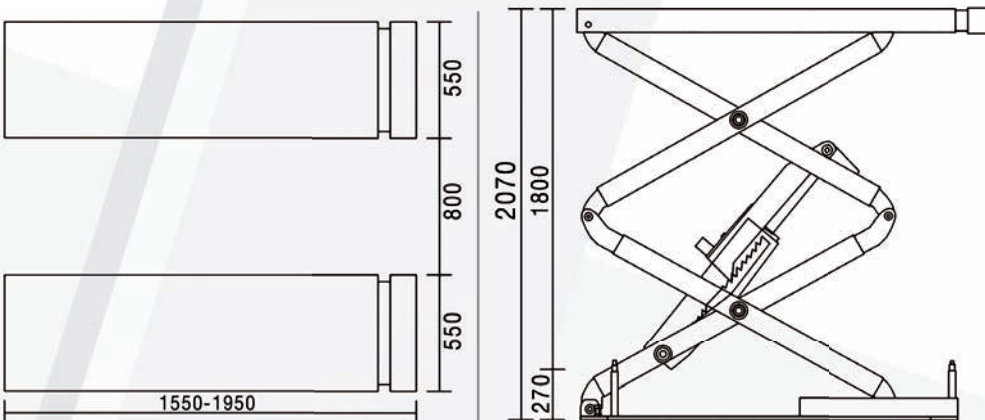
TW S3-Q

Details



(1) Extendable platform (2) Scissor lift (lowered) (3) Automatic safety-lock-release system
(4) High quality hydraulic cylinder (5) Easy to use control box (6) Under floor | Lowers to ground level

Dimensions and technical data



Technical Data: TW S3-18 U	
Lifting capacity	3000 kg
Lifting height max.	1800 mm + Rubber
Drive on height	in floor (0 mm)
Lifting, lowering time (approx.)	45/45 sec.
Power supply	400 V / 3 Phase
Motor power	2,2 kW
Fusing	16 A / type C
Weight (approx.)	860 kg