

ELECTRIC SCREWDRIVERS

delvo

**NITTO KOHKI's "delvo"
Electric Screwdrivers contribute to
quality improvement of assembly work.**



Cat.No. **Dk300e**



JQA-EM4057
NITTO KOHKI CO., LTD.
Headquarters
Research Center



ISO 9001
SHIRAKAWA NITTO KOHKI CO.,LTD.



Professional Tools for Assembling High-Technology Goods

NITTO KOHKI's "Delvo" Electric Screwdrivers are high-quality tools for professional use, with special emphasis on precise torque control and long life. They always apply just the correct amount of torque with accurate and positive control at your fingertips. They are smooth and shockless in operation, too. NITTO KOHKI's customer-oriented service system through our sales agents ensures that you can use Delvo Electric Screwdrivers with a high degree of reliability.

CONTENTS

Selection Chart	2
DLV7400A series	5
DLV5700 series	7
DLV5800 series	8
DLV7300 series	9
DLV7300-BME / BKE series	10
DLV30 series	11
DLV7100 / 7200 / 8100 / 8200 series	12
DLV7000 / 8000 series	13
DLV3100 / 3300 series	14
DLV7500 / 8500 series	15
Controller with Speed Adjustment and Screw Counter	17
Multiple Controllers	18
DLV7100 / 7200 / 8100 / 8200 (115 V) series	19
CCC mark Delvo	20
DLR5040A-WE	21
DLR5340-WE	22
DLR5640-WE	23
Screwdrivers designed for DLR5640-WE	24
DSF1000 series	25
Torque Checkers	26
Accessories	27
Sleeves and Vacuum Pickups	28
NK BIT / Optional Cord	29

● Shockless

Sophisticated clutches and motor braking mechanism reduce the shock at the end of the screw tightening operation and causes less fatigue.

● Long Life

Motor brushes stand over a million tightening cycles. They can be replaced easily.

● Brushless motors are adopted.

They are eco-friendly, long life, and cover wide torque range.

● High Accuracy

High repeatable torque accuracy provides more consistent screw tightening torque.

● High Speed

High-speed torque motors cut down screw tightening time and enhance productivity.

● Safety Standards

Models with CE Marking (for the European Union) or CCC (for People's Republic of China) are available.

● Quieter

Compare Delvo with a conventional pneumatic screwdriver, and you will hear the difference.

Models for EU

DLV7410A/7419A/7410HA/7419HA/7420A/7429A-BME
 DLV7313/7323/7333/7321/7331/7325/7335-CME/CKE
 DLV7321/7331-BME/BKE
 DLV7319/7329/7339/7349-BME
 DLC1213A-GG/GGB/GGU
 DLV30SP/30SL/30HP/30HL/30LP/30LL
 DLV7530/7540/7550-MKE/BKE
 DLV8530/8540/8550-MKE/BKE
 DLC4511-GGB/DLR1510-JE
 DLC1110-GG/HE



Selection Chart

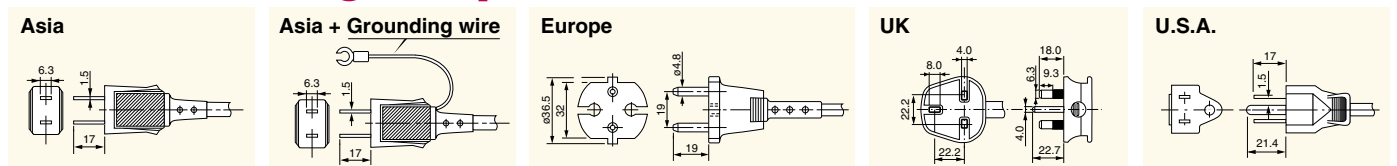
Input Voltage	Electric Screwdriver	Controller	Shape of Plug for Power Supply
100 V AC	DLV7410A/7419A DLV7410HA/7419HA DLV7420A/7429A	+ DLC1110-EN	Asia + Grounding wire
	DLV5720/5720H/5740	+ DLC0350E	Asia + Grounding wire
	DLV5740H/5750	+ DLC0950E	Asia + Grounding wire
	DLV5820/5820H/5840	+ DLC0250E	USA
	DLV7313/7323/7333-CMN DLV7325/7335-CMN	+ DLC1213A-EN DLC1215-EN DLC2310-CE + DLE3610-EN	Asia + Grounding wire Asia + Grounding wire Asia
	DLV7321/7331/7319/7329/7339/7349-BMN	+ DLC1213A-ENB	Asia
	DLV30HL/30SL/30LL DLV30HP/30SP/30LP		USA
	DLV7020/7030/8020/8030/7031/8031-EMN		Asia
115 V AC	DLV7410A/7419A DLV7410HA/7419HA DLV7420A/7429A	+ DLC1110-FE	USA
	DLV5720/5720H/5740	+ DLC0350F	USA
	DLV5740H/5750	+ DLC0950F	USA
	DLV7313-CME DLV7321/7323/7333/7331/7325/7335-CME/CKE	+ DLC1213A-FE	USA
	DLV7321/7331-BME/BKE DLV7319/7329/7339/7349-BME	+ DLC1213A-FEB	USA
	DLV7020/7030/8020/8030-FME		Asia
220 V AC	DLV7410A/7419A DLV7410HA/7419HA DLV7420A/7429A	+ DLC1110-GE	UK
	DLV7313-CME DLV7321/7323-CME/CKE DLV7333/7331-CME/CKE DLV7325/7335-CME/CKE	+ DLC1213A-GE DLC1215-GE	UK Asia
230 V AC	DLV7410A/7419A DLV7410HA/7419HA DLV7420A/7429A	+ DLC1110-GG *	Europe
	DLV5720/5720H/5740	+ DLC0350G	UK
	DLV5740H/5750	+ DLC0950G	Asia + Grounding wire
	DLV7313-CME DLV7321/7323-CME/CKE DLV7333/7331-CME/CKE DLV7325/7335-CME/CKE	+ DLC1213A-GG * DLC1213A-GGU *	Europe UK
	DLV7321/7331-BME/BKE DLV7319/7329/7339/7349-BME	+ DLC1213A-GGB *	Europe
	DLV30HL/30SL/30LL DLV30HP/30SP/30LP		Europe, USA
	DLV7530/7540/7550-MKE/BKE DLV8530/8540/8550-MKE/BKE	+ DLC4511-GGB * DLR1510-JE *	Europe Europe
	DLV7120/7130/7140-JJE/JKE DLV8120/8130/8140-JJE/JKE DLV7221/8221-JKE DLV8150-JKE		Asia
240 V AC	DLV7410A/7419A DLV7410HA/7419HA DLV7420A/7429A	+ DLC1110-HE *	UK
	DLV7313-CME DLV7321/7323/7333/7331/7325/7335-CME/CKE	+ DLC1213A-HE	Without Plug
	DLV7321/7331-BME/BKE DLV7319/7329/7339/7349-BME	+ DLC1213A-HEB	UK
24 V AC	DLV3321/3331-CMN	+ DLC3310	Without Plug

* : Complied With CE marking.

• Regarding "made to order" models and other than the models shown in this catalog, please inquire of the distributor for the price and minimum quantity per model.

Standard Plug Shape

Unit : mm

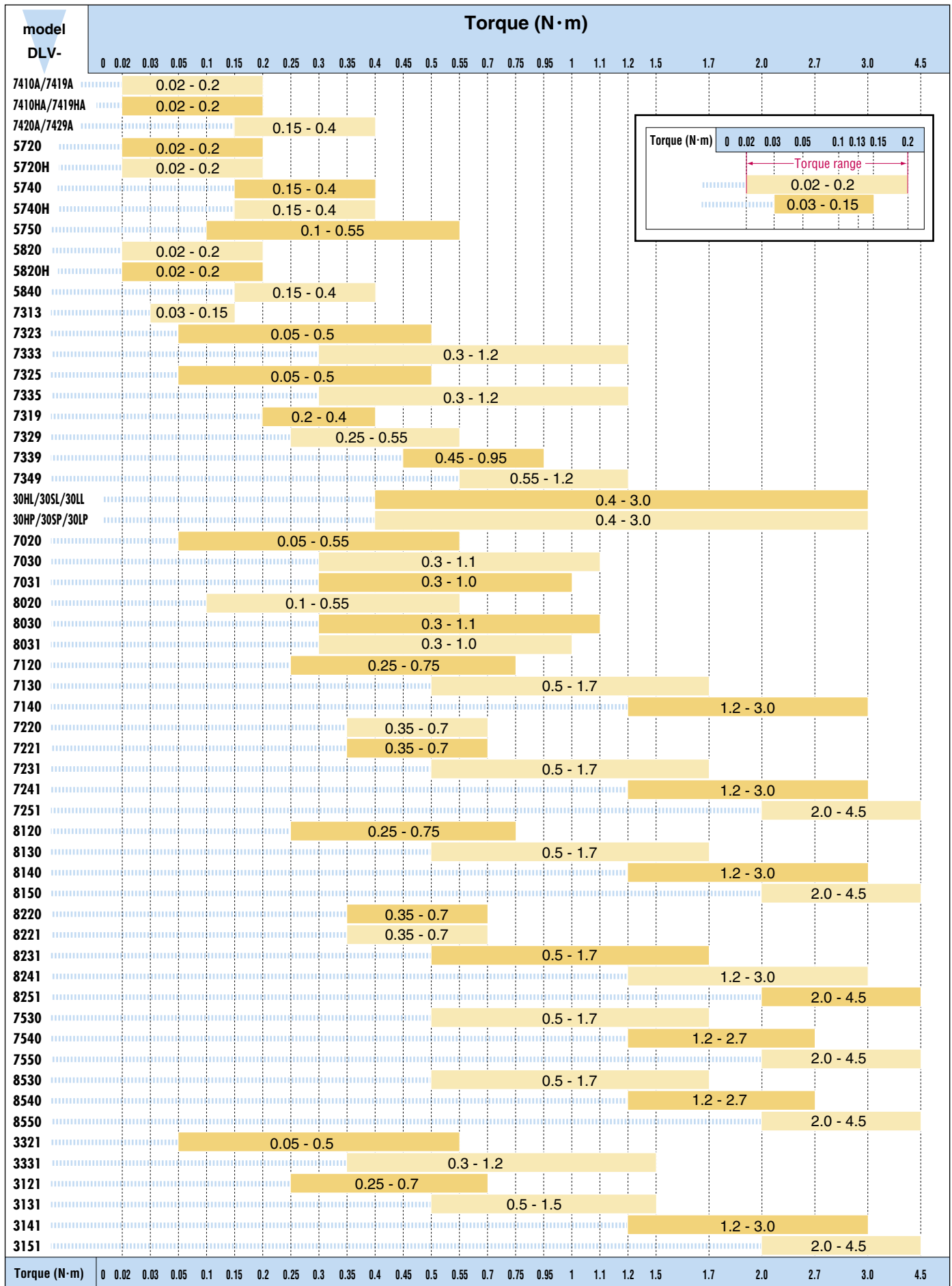


Selection Chart

	Page	Electric Screwdriver					Controller	
		Series	Model	Screws Size (mm)	Features	Starting Method	Model	Features
	5-6	7400A series	DLV7410A/7419A	1.0 - 2.3	Low Voltage, Low Shock, ESD	Lever Start	DLC1110	Speed Control Soft Start
			DLV7410HA/7419HA					
			DLV7420A/7429A	1.6 - 2.6				
	7	5700 series	DLV5720	1.0 - 2.3	Low Voltage, Low Shock, ESD	Lever Start	DLC0350	Speed Control Soft Start, Signal Output
			DLV5720H					
			DLV5740	1.6 - 2.6				
			DLV5740H					
DLV5750	1.0 - 3.0							
	8	5800 series	DLV5820	1.0 - 2.3	Low Voltage, ESD	Lever Start	DLC0250	Small size
			DLV5820H					
			DLV5840	1.6 - 2.6				
	9	7300 series	DLV7313-CME	Up to 2.0	Low Voltage	Lever Start	DLC1213A (DLC1215 DLC2310)	Speed Control, Soft Start Multiple Control
			DLV7321/7323-C□E	1.0 - 3.0				
			DLV7331/7333-C□E	2.0 - 3.5	Low Voltage, Clean Room			
			DLV7325-C□E	1.0 - 3.0				
DLV7335-C□E	2.0 - 3.5							
	10	7300 series	DLV7321-B□E	1.0 - 3.0	Low Voltage, ESD	Lever Start	DLC1213A-□□B	Speed Control, Soft Start, Bit Ground
			DLV7331-B□E	2.0 - 3.5				
			DLV7319-BME	2.0 - 3.0	Low Voltage, Clean Room, Low Shock, ESD			
			DLV7329-BME					
DLV7339-BME	3.0 - 3.5							
DLV7349-BME								
	11	30 series	DLV30HL/30SL/30LL	2.6 - 5.0	Transformerless	Lever Start	DLC1213A-□□B	Speed Control, Soft Start, Bit Ground
			DLV30HP/30SP/30LP			Push to Start		
	12	7100 series	DLV7120	2.6 - 3.0	Transformerless	Lever Start	DLC1213A-□□B	Speed Control, Soft Start, Bit Ground
			DLV7130	2.6 - 4.0				
			DLV7140	3.5 - 5.0				
		7200 series	DLV7220	2.6 - 3.0		Lever Start		
			DLV7221					
			DLV7231	2.6 - 4.0				
		7200 series	DLV7241	3.5 - 5.0		Lever Start		
			DLV7251	4.5 - 6.0				
			DLV7251	4.5 - 6.0				
		8100 series	DLV8120	2.6 - 3.0		Lever Start		
			DLV8130	2.6 - 4.0				
			DLV8140	3.5 - 5.0				
8100 series	DLV8150	4.5 - 6.0	Lever Start					
	DLV8220	2.6 - 3.0		Push to Start				
	DLV8221							
8200 series	DLV8231	2.6 - 4.0	Lever Start					
	DLV8241	3.5 - 5.0						
	DLV8251	4.5 - 6.0						
	13	7000 series	DLV7020	1.0 - 3.0	Transformerless	Lever Start	DLC1213A-□□B	Speed Control, Soft Start, Bit Ground
			DLV7030	2.0 - 3.5				
		DLV7031	2.0 - 3.0	Push to Start				
		DLV8020	1.0 - 3.0					
DLV8030	2.0 - 3.5							
DLV8031	2.0 - 3.0							
	14	3300 series	DLV3321	1.0 - 3.0	For Robot (with Torque Reach Signal Output)	External Input	DLC3310	Torque Reach Signal Output
			DLV3331	2.0 - 3.5				
		3100 series	DLV3121	2.3 - 2.6				
			DLV3131	2.6 - 3.5				
			DLV3141	3.5 - 5.0				
DLV3151	4.5 - 6.0							
	15-16	7500 series	DLV7530	2.6 - 4.0	With Torque Reach Light	Lever Start	DLC4511-GGB	Speed Control, Soft Start, Bit Ground, Signal Output
			DLV7540	3.5 - 5.0				
			DLV7550	4.5 - 6.0				
		8500 series	DLV8530	2.6 - 4.0		Push to Start		
			DLV8540	3.5 - 5.0				
DLV8550	4.5 - 6.0							

Selection Chart

■ This chart is for reference only.



DLV7400A series

■ For Miniature Screws (1.0 - 2.6 mm)

Features

The light and compact body reduces operator fatigue.

- Reduces shock applied to workpieces when fastening screws.
- Compliant with EN100015-1
- Lightweight (Standard type 230 g, Clean room type 275 g)
- The Clean Room Type complies with Class 3 Clean Room Rating.
- The controller can adjust speed.
- (Screw-fastening speed can be set to suit specific fastening conditions.)
- The controller provides a soft start function.
- The initial speed at screwdriver startup can therefore be slowed down, effectively preventing screw heads from being scratched.
- The built-in coreless motor achieves reduced inertia.
- Torque accuracy is within a top-ranked worldwide level. (Based on measurements at our laboratory)
- Compliant with CE
- Use of the Screw Fastening Counter prevents human fastening errors and enhances accurate fastening control. (No CE marking or CCC applied.)
- Screw Fastening Counter Model DLR5640-WE works in conjunction with any dedicated SPC-type electric screwdrivers.



DLV7419A/7419HA/
7429A-BME

DLV7410A-BME

DLV7410HA-BME

DLV7420A-BME

DLC1110-GG/HE

Specifications

Model	Standard Type	DLV7410A-BME	DLV7410HA-BME	DLV7420A-BME
	Clean Room Type	DLV7419A-BME	DLV7419HA-BME	DLV7429A-BME
Starting Method	Lever Start			
Input Voltage	40 V DC			
Torque Adjustment	Stepless			
Torque (N·m)	0.02 - 0.2		0.15 - 0.4	
Free Speed (min ⁻¹)	500 - 750		700 - 1,000	
Power Consumption (W)	Approx. 10			
Screw Size (mm)	Machine Screw	1.0 - 2.3		1.6 - 2.6
	Tapping Screw	1.0 - 2.0		1.4 - 2.3
Bit Type (mm)				
Mass (g)	Standard type 230 / Clean room type 275			

Model	DLC1110-GG / HE	DLC1213A-GGB / HEB ^{*1}
	Input Voltage	230 V AC, 50/60 Hz
Function	Auto Stop	<input type="checkbox"/>
	Soft Start	<input type="checkbox"/>
	Speed Control	<input type="checkbox"/>
	ESD Protected	<input type="checkbox"/>
Mass (g)	900	2,300

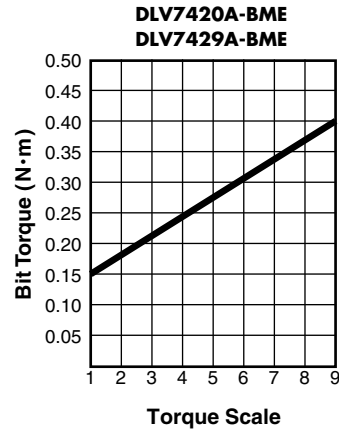
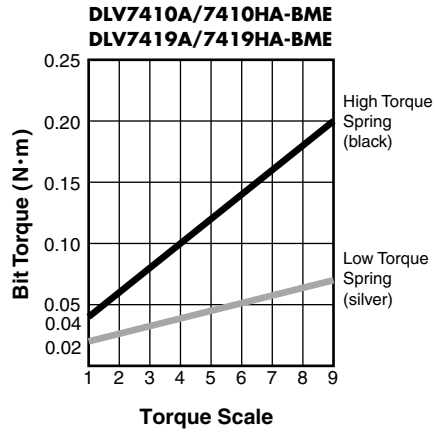
*1 An optional cord is required to connect with these models. Neither DLC1213A-GG nor DLC1213A-HE can be used with the DLV7400A series.

Model DLC1213A-GGB or DLC1213A-HEB + Cord DLW9072

Standard Accessories

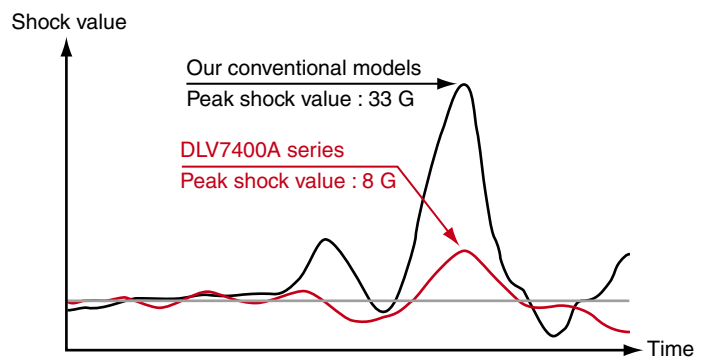
No.	DLV7410A	DLV7410HA	DLV7420A	DLV7419A	DLV7419HA	DLV7429A
Bit No.0 x 1.8 x 44	1	1	-	1	1	-
Bit No.0 x 2.5 x 44	1	1	1	1	1	1
Bit No.1 x 4 x 44	-	-	1	-	-	1
Connection Cord DLW9070	1	1	1	1	1	1
Spring for Low Torque	1	1	-	1	1	-
Suspension Bail	1	1	1	1	1	1
Sleeve for Vacuum DLS2124	-	-	-	1	1	1

Torque Diagrams (for reference)



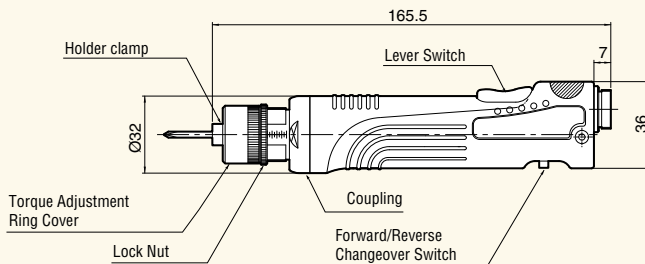
Shock Waveform Comparison between the 7400A series and our conventional models

Value of shock applied to the workpiece as measured using acceleration pickup.

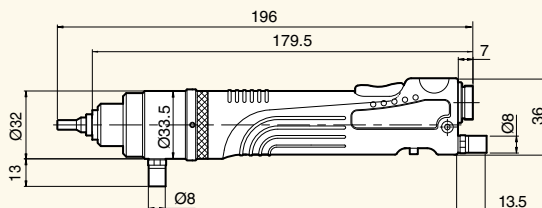


External Dimensions

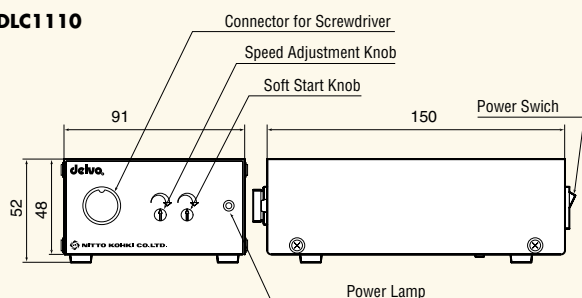
● DLV7410A/7410HA/7420A-BME



● DLV7419A/7419HA/7429A-BME



● DLC1110

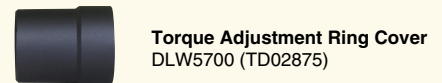


Unit: mm

Optional Accessories



* Please see page 28 for details.



DLV7400A series

DLV5700 series

■ For Miniature Screws (1.0 - 3.0 mm)

Features

For quality improvement and productivity enhancement

- Grounded bit installation mechanism.
- Electro-static discharge (ESD) control.
- Low-shock for tightening (30 % less of standard models)
- Low swing bit mechanism
- Ergonomic design
- High-performance DC motor
- New clutch mechanism



DLV5720/5720H/5740

DLC0350

DLV5740H/5750

DLC0950

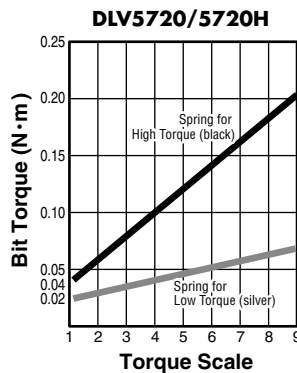
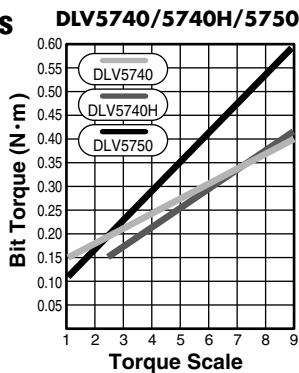
Specifications

Model		DLV5720	DLV5720H	DLV5740	DLV5740H	DLV5750	
Electric Screwdriver	Starting Method	Lever Start					
	Input Voltage	40 V DC			36 V DC		
	Torque Adjustment	Stepless					
	Torque (N·m)	0.02 - 0.2		0.15 - 0.4		0.1 - 0.55	
	Free Speed (min ⁻¹)	500 - 750	700 - 1,000	450 - 600	1,200 - 1,800	670 - 1,000	
	Power Consumption (W)	Approx. 10					
	Screw Size (mm)	Machine Screw	1.0 - 2.3		1.6 - 2.6		1.0 - 3.0
		Tapping Screw	1.0 - 2.0		1.4 - 2.3		1.0 - 2.6
	Bit Type (mm)						
	Mass (g)	230			300		
Model		DLC0350E	DLC0350F	DLC0350G	DLC0950E	DLC0950G	
Input Voltage		100 V AC, 50/60 Hz	115 V AC, 50/60 Hz	230 V AC, 50/60 Hz	100 V AC, 50/60 Hz	230 V AC, 50/60 Hz	
Power Supply Plug		Asia + Grounding Wire	USA	UK	Asia + Grounding Wire		
Mass (g)		900			1,800		

Standard Accessories

No.	DLV5720	DLV5720H	DLV5740	DLV5740H	DLV5750
Bit	No.0 x 1.8 x 44	1			-
	No.0 x 2.5 x 44	1			1
	No.1 x 4 x 44	-			1
Connection Cable (1.5 m) DLW9081	1			1	
Suspension Bail	1			1	
Spring for Low Torque	1			-	

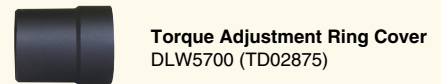
Torque Diagrams (for reference)



Optional Accessories

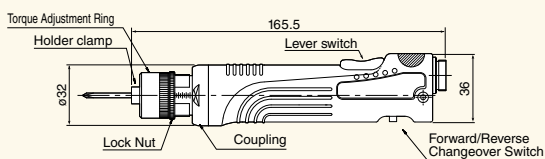


*Please see page 28 for details.

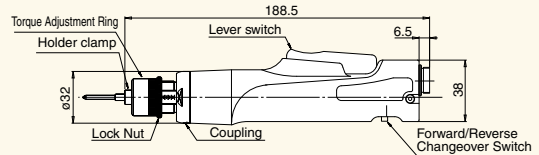


External Dimensions

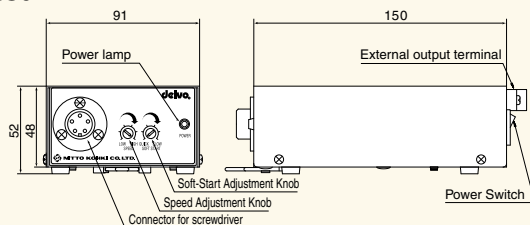
DLV5720/5720H/5740



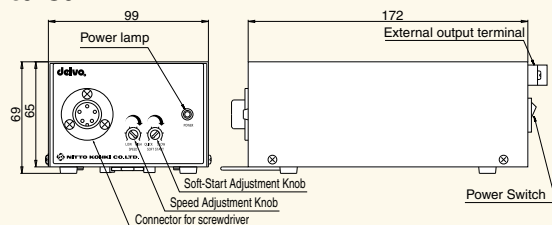
DLV5740H/5750



DLC0350



DLC0950



Unit: mm

DLV5800 series

■ For Miniature Screws (1.0 - 2.6 mm)

Features

In response to the needs of cell production system space-saving DELVO screwdrivers are released.

Controller is designed for emphasis on space-saving size and lightness.

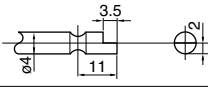
- Clear disengagement of clutch (low-shock mechanism unavailable)
- Grounded bit installation mechanism
- Complied with EN100015-1
- New lever is adopted.
- Low swing bit mechanism
- Low voltage transless controller

DLV5820/5820H/5840

DLC0250E

DLC0350

Specifications

Model	DLV5820	DLV5820H	DLV5840
Starting Method		Lever Start	
Input Voltage		40 V DC	
Torque Adjustment		Stepless	
Torque (N·m)		0.02 - 0.20	0.15 - 0.40
Free Speed (min ⁻¹)	750	1,000	600
Power Consumption (W)		Approx. 10	
Screw Size (mm)	Machine Screw	1.0 - 2.3	1.6 - 2.6
	Tapping Screw	1.0 - 2.0	1.4 - 2.3
Bit Type (mm)			
Mass (g)		230	
Cord Length (m)		1.5 (with connector)	
Grounding Bit Feature		Equipped as standard	

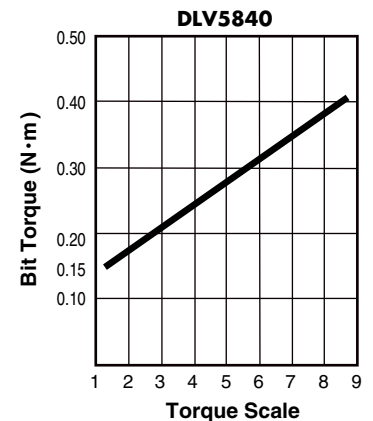
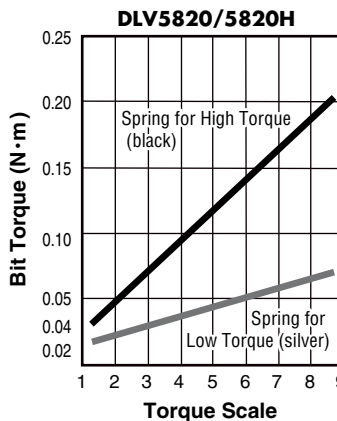
Model	DLC0250E
Input Voltage	100 V AC, 50/60 Hz
Function	Automatic stop Grounded Bit Installation Mechanism
Mass (g)	300
Power Supply Plug	USA
Case Material	Antistatic material

* Electric screwdrivers DLV5800 series can be also used with DLC0350.

Standard Accessories

Bit	No.	DLV5820	DLV5820H	DLV5840
No.0 x 1.8 x 44		1	-	-
No.0 x 2.5 x 44		1	-	1
No.1 x 4 x 44		-	-	1
Suspension Bail		1	1	1
Connection Cable (1.5 m)		1	1	1
Spring for Low Torque (Silver)		1	-	-

Torque Diagrams (for reference)

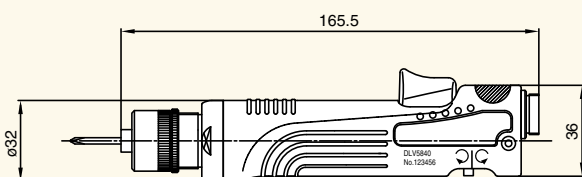


Optional Accessories (Made to order items)

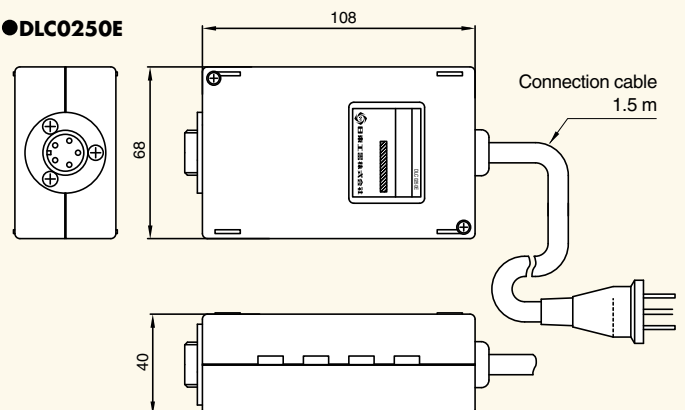


External Dimensions

DLV5820/5820H/5840



DLC0250E



Unit: mm

DLV5800 series

DLV7300 series

■ For Miniature Screws (1.0 - 3.5 mm)

Features

- The dedicated controller realizes high-accuracy screw tightening.
- High repeatable torque accuracy
- The controller provides a soft start function. The initial speed at screwdriver startup can therefore be slowed down, effectively preventing screw heads from being scratched.
- Variable speed adjustment enables to select optimum screw tightening speed.
- DLV7325, DLV7335 meet Class 5* Clean Room standards.

* Based on Nitto's standard of measurement.



Specifications

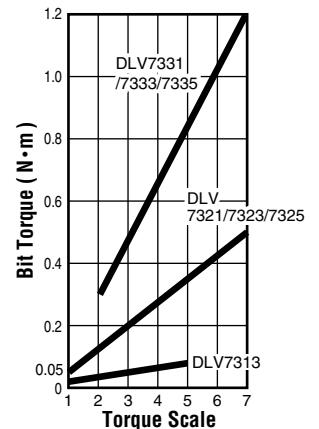
		Standard			Clean Room Use	
Model	Bit Shank: $\phi 4$ mm	DLV7313-CME	DLV7323-CME	DLV7333-CME	DLV7325-CME*1	DLV7335-CME*1
	Bit Shank: Hex.6.35 mm		DLV7321-CME	DLV7331-CME		
			DLV7323-CKE	DLV7333-CKE		
			DLV7321-CKE	DLV7331-CKE		
Starting Method		Lever Start				
Input Voltage		36 V DC				
Torque Adjustment		Stepless				
Torque (N·m)		0.03 - 0.15	0.05 - 0.5	0.3 - 1.2	0.05 - 0.5	0.3 - 1.2
Free Speed (min ⁻¹)		700 - 1,000			500 - 700	500 - 700
Power Consumption (W)		Approx. 35				
Screw Size (mm)	Machine Screw	Up to 2.0	1.0 - 3.0	2.0 - 3.5	1.0 - 3.0	2.0 - 3.5
	Tapping Screw	Up to 1.7	1.2 - 2.6	2.0 - 3.0	1.2 - 2.6	2.0 - 3.0
Bit Type (mm)	For CME					
	For CKE					
Mass (g)		350			400	

*1 : Vacuum pump for suction of screw is available as option. See page 27 for details of the vacuum pump.

Model	Features	Input Voltage	Control Function	Shape of Plug for Power Supply	Mass(kg)
DLC1213A-EN	Standard	100 V AC, 50/60 Hz	Auto stop, Soft start, Speed control	Asia	2.3
DLC1213A-FE*1	Standard	115 V AC, 50/60 Hz		Europe	
DLC1213A-GE	Standard	220 V AC, 50/60 Hz		UK	
DLC1213A-GG	With CE Mark	230 V AC, 50/60 Hz		Without Plug	
DLC1213A-GG U	With CE Mark	240 V AC, 50/60 Hz			
DLC1213A-HE	Standard	240 V AC, 50/60 Hz	Auto stop	Asia	0.36
DLC1215-EN*2	2 Screwdrivers for 1 Controller	100 V AC, 50/60 Hz			
DLC1215-GE*2	2 Screwdrivers for 1 Controller	220 V AC, 50/60 Hz			
DLC2310-CE*2	Multiple Controller	24 V AC, 50/60 Hz			
DLE3610-EN*2	Power Supply for DLC2310-CE	100 V AC, 50/60 Hz		Asia	9

*1 : This model is made to order. *2 : See page 18 for details of the models other than DLC1213A series.

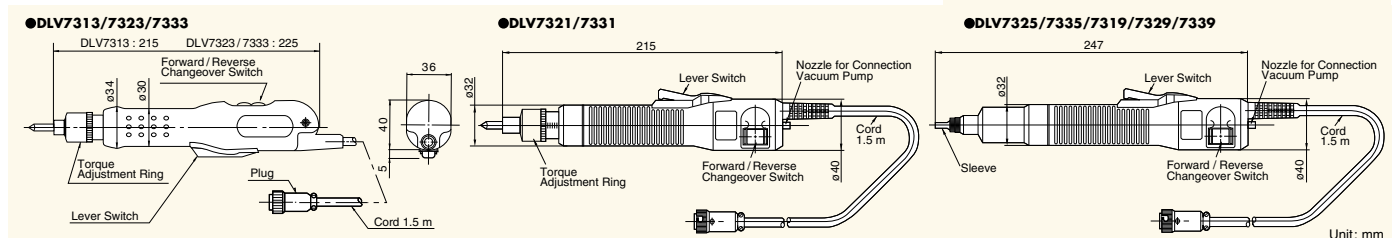
Torque Diagram (for reference)



Standard Accessories

No.	DLV7313 -CME	DLV7321 / 23 -CME	DLV7331 / 33 -CME	DLV7321 / 23 / 31 / 33-CKE	DLV7325 -CME	DLV7335 -CME	DLV7325 / 35 -CKE
Bit							
No.0 x 1.8 x 44	1	—	—	—	—	—	—
No.0 x 2.5 x 44	1	1	—	—	1	—	—
No.1 x 3 x 44	—	—	1	—	—	1	—
No.1 x 4 x 44	—	1	—	—	1	—	—
No.1 x 7 x 50	—	—	—	1	—	—	—
No.2 x 4 x 44	—	—	1	—	—	1	—
No.2 x 4.5 x 50	—	—	—	—	—	—	1
No.2 x 7 x 50	—	—	—	1	—	—	—
Sleeve							
DLS2124	—	—	—	—	1	—	—
DLS2127	—	—	—	—	1	1	—
DLS2130	—	—	—	—	1	1	—
DLS2134	—	—	—	—	—	1	—
DLS2135	—	—	—	—	—	—	1
Suspension Bail	1						

External Dimensions



DLV7300-BME/BKE series ■ For Miniature Screws (1.0 - 3.5 mm)

Features

Workpiece-conscious electric screwdrivers.

- Statistic electricity buildup is prevented to protect workpieces from electrostatic discharge.
- Minimal impact in screw tightening protects workpieces from damaging and enables stable screw tightening.
- Meet Class 5* or more Clean Room standards.

*Based on Nitto's standard of measurement.

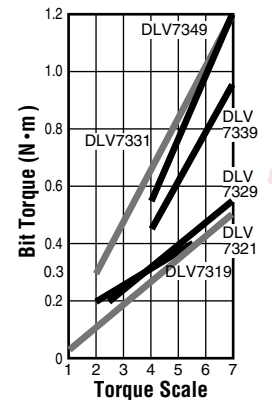


DLC1213A-□□B

Specifications

		ESD		ESD / Low Shock				
Electric Screwdriver	Model	Bit Shank:ø4 mm Bit Shank:Hex. 6.35 mm	DLV7321-BME*1 DLV7321-BKE	DLV7331-BME*1 DLV7331-BKE	DLV7319-BME*1	DLV7329-BME*1	DLV7339-BME	DLV7349-BME*1
	Starting Method		Lever Start					
	Input Voltage		36 V DC					
	Torque Adjustment		Stepless					
	Torque (N·m)		0.05 - 0.5	0.3 - 1.2	0.2 - 0.4	0.25 - 0.55	0.45 - 0.95	0.55 - 1.2
	Free Speed (min ⁻¹)		700 - 1,000	500 - 700	700 - 1,000		500 - 700	
	Power Consumption (W)		Approx. 35					
	Screw Size (mm)	Machine Screw	1.0 - 3.0	2.0 - 3.5	2.0 - 3.0		3.0 - 3.5	
		Tapping Screw	1.2 - 2.6	2.0 - 3.0	2.0 - 2.6		2.6 - 3.0	
	Bit Type (mm)	For BME						
For BKE								
Mass (g)		350			400			

Torque Diagram (for reference)



*1 : These models are made to order.

Controller	Model	Input Voltage	Shape of Plug for Power Supply	Control	Mass(kg)
	DLC1213A-ENB	100 V AC, 50/60 Hz	USA	Grounding, Auto Stop, Soft Start, Speed Control	2.3
	DLC1213A-FEB*1	115 V AC, 50/60 Hz	USA		
	DLC1213A-GGB	230 V AC, 50/60 Hz	Europe		
	DLC1213A-HEB	240 V AC, 50/60 Hz	UK		

*1 : This model is made to order.

Measurement Point		Conventional Product	DLV7300-B□E
Handle	Static Electricity (V)	350	5
	Surface Resistance (Ω)	more than 10 ¹³	10 ⁴
Lever Switch	Static Electricity (V)	350	2
	Surface Resistance (Ω)	more than 10 ¹³	10 ⁴
Forward / Reverse Switch	Static Electricity (V)	25	2
Power Cable	Static Electricity (V)	110	5
	Surface Resistance (Ω)	more than 10 ¹³	10 ¹⁰

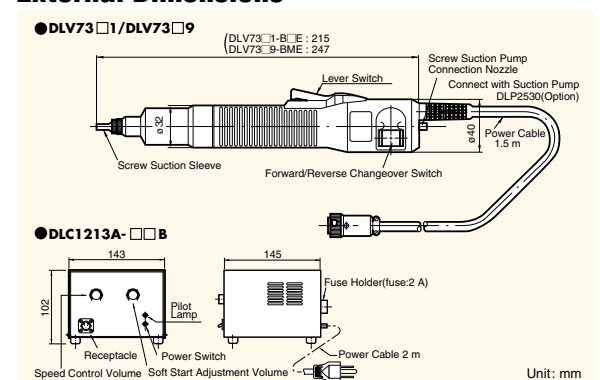
Part	Material
Handle Lever Switch	Synthetic resin with carbon fiber
Power Cable	Anti-static material

*Measurement conditions (Temperature:22 °C Humidity:66 %)
 (1) Static electricity ●Earth the measurement equipment and measuring person.
 ●Grip the screwdriver five times using Ansel Edmont electronic control glove.
 ●Turn on the switch of the screwdriver. ●Measure each part of the screwdriver using electronic measurement equipment manufactured by Shishido electrostatic Ltd.
 (2) Surface resistance ●Measure using Simco Japan surface resistivity measurement equipment.

Standard Accessories

No.	DLV7319/29-BME	DLV7339/49-BME	DLV7321-BME	DLV7331-BME	DLV7321/31-BKE
No.0 x 2.5 x 44	1	—	1	—	—
No.1 x 3 x 44	—	1	—	1	—
No.1 x 4 x 44	1	—	1	—	—
No.1 x 7 x 50	—	—	—	—	1
No.2 x 4 x 44	—	1	—	1	—
No.2 x 7 x 50	—	—	—	—	1
DLS2124	1	—	—	—	—
DLS2127	1	1	—	—	—
DLS2130	1	1	—	—	—
DLS2134	—	1	—	—	—
Suspension Bail	1				

External Dimensions



DLV7300-BME/BKE series

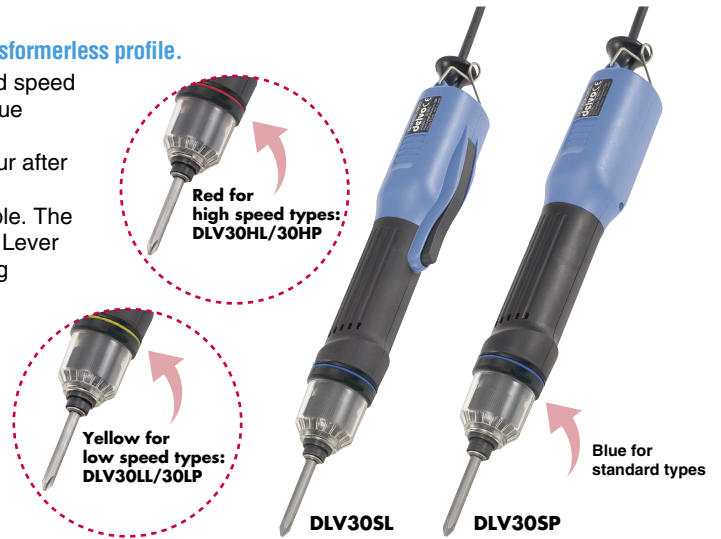
DLV30 series

■ For Machine Screws (2.6 - 5.0 mm)

Features

Eco-friendly electric screwdrivers with built-in brushless motors in a transformerless profile.

- The series lineup is consisted of high speed(2,000 min⁻¹), standard speed (1,200 min⁻¹), and low speed(650 min⁻¹) types with respective torque range of 0.4 - 3.0 N·m.
- Designed to minimize loss of screw fastening torque that may occur after long-term use, and therefore ensures stable performance.
- Both the Lever Start and Push to Start types of models are available. The Push to Start type is suitable for continuous screw tightening. The Lever Start type is suited for temporary tightening screws and tightening screws set at angles.
- Equipped with a clear plastic torque adjustment ring cover.
- Design conforms to the RoHS Directive and thus appeals to the environmentally conscious user.
- Models with CE marking (for the European Union) or CCC (for People's Republic of China) are available.
- Aluminum couplings with colored rubber rings, namely, red, blue, and yellow ones, help operators choose the correct speed type easily.



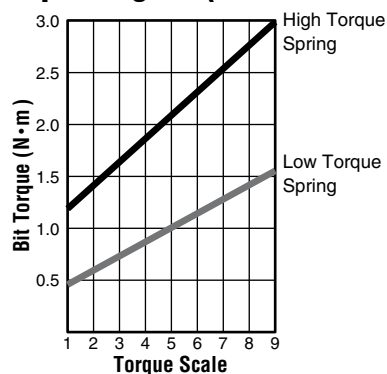
Specifications

		High Speed	Standard	Low Speed	High Speed	Standard	Low Speed
Model	European Plug	DLV30HL-MKG	DLV30SL-MKG	DLV30LL-MKG	DLV30HP-MKG	DLV30SP-MKG	DLV30LP-MKG
		DLV30HL-MJG	DLV30SL-MJG	DLV30LL-MJG	DLV30HP-MJG	DLV30SP-MJG	DLV30LP-MJG
	USA Plug	DLV30HL-MKE	DLV30SL-MKE	DLV30LL-MKE	DLV30HP-MKE	DLV30SP-MKE	DLV30LP-MKE
		DLV30HL-MJE	DLV30SL-MJE	DLV30LL-MJE	DLV30HP-MJE	DLV30SP-MJE	DLV30LP-MJE
Starting Method		LEVER			PUSH		
Free Speed (min ⁻¹)		2,000	1,200	650	2,000	1,200	650
Input Voltage		230 V AC, 50/60 Hz					
Torque Adjustment (N·m)	Low Torque Spring (Standard Accessory)	0.4 - 1.6					
	High Torque Spring (Built-in)	1.2 - 3.0					
Power Consumption (W)		Approx. 45					
Screw Size (mm)	Machine Screw	2.6 - 5.0					
	Tapping Screw	2.5 - 4.0					
Bit Type (mm)	For MKG/MKE						
	For MJG/MJE						
Mass (g)		700					

Standard Accessories

Bit	No.	MJG / MJE	MKG / MKE
No.2 x 6 x 70	1	—	—
No.2 x 7 x 75	—	1	—
Suspension Bail	—	1	—
Low Torque Spring	—	1	—

Torque Diagram (for reference)



Optional Accessory

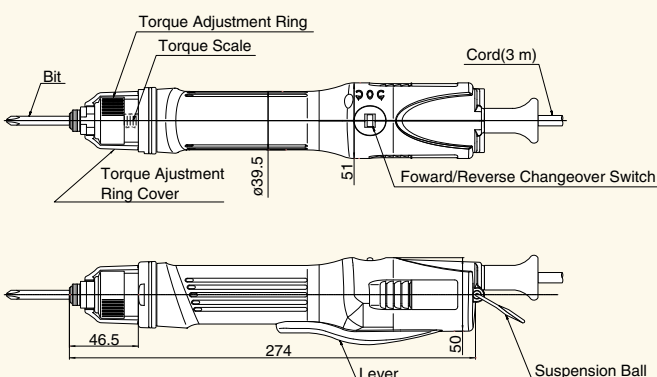


Easy-to-attach grip for horizontal operation.

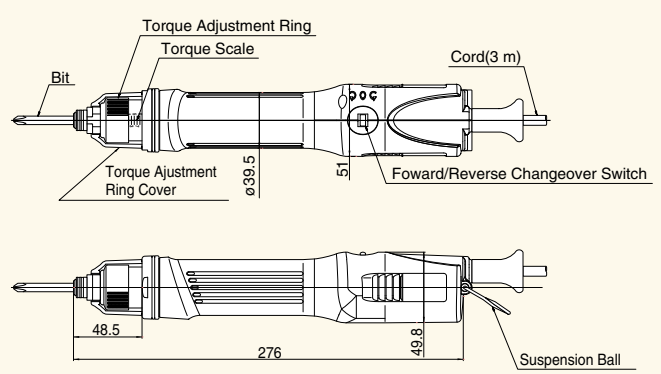
Pistol Grip DLW2300 (TD00335)

External Dimensions

DLV30SL/DLV30HL/DLV30LL



DLV30SP/DLV30HP/DLV30LP



Unit: mm

DLV7100/7200/8100/8200 series

■ For Machine Screws (2.6 - 6.0 mm)

Features

Long Time Selling, Reliable and High Performance

- Transformerless space saving model built in automatic stop circuit.
- Combination of unique clutch mechanism and automatic stop circuit maintains high repetitive torque accuracy.
- The lever start type DLV7100 / 7200 series is suited for temporarily tightening screws and tightening screws set at angles.
- The DLV8100 / 8200 series is push to start type for continuous screw tightening.
- The high speed type DLV7200 / 8200 series enhances working efficiency.
- The high torque type DLV7251 / 8150 / 8251 series is equipped with a grip, which is useful for tightening big screws like 6 mm machine screws.



DLV7100/7200 series

DLV8100/8200 series

DLV7251

DLV8150/8251

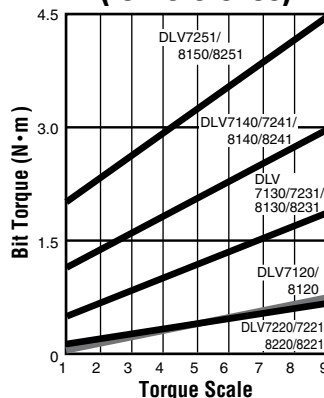
Specifications

		Standard			High Speed			High Torque	Standard			High Torque	High Speed			High Torque			
		DLV7120-EJN	DLV7130-EJN	DLV7140-EJN	DLV7220-EJN	DLV7231-EJN	DLV7241-EJN	DLV7251-EKN	DLV8120-EJN	DLV8130-EJN	DLV8140-EJN	DLV8150-EKN	DLV8220-EJN	DLV8231-EJN	DLV8241-EJN	DLV8251-EKN			
Model	100 V AC Input																		
	230 V AC Input																		
Starting Method		Lever Start							Push to Start										
Torque Adjustment		Stepless																	
Torque (N·m)		0.25-0.75	0.50-1.70	1.20-3.00	0.35-0.70	0.35-0.70	0.50-1.70	1.20-3.00	2.00-4.50	0.25-0.75	0.50-1.70	1.20-3.00	2.00-4.50	0.35-0.70	0.35-0.70	0.50-1.70	1.20-3.00	2.00-4.50	
Free Speed (min ⁻¹)		900	900	600	3,000	1,800	1,800	1,100	700	900	900	600	400	2,800	1,800	1,800	1,100	700	
Power Consumption (W)		Approx. 35			Approx. 45						Approx. 35			Approx. 45					
Screw Size (mm)	Machine Screw	2.6-3.0	2.6-4.0	3.5-5.0	2.6-3.0	2.6-3.0	2.6-4.0	3.5-5.0	4.5-6.0	2.6-3.0	2.6-4.0	3.5-5.0	4.5-6.0	2.6-3.0	2.6-3.0	2.6-4.0	3.5-5.0	4.5-6.0	
	Tapping Screw	2.3-3.0	2.3-3.5	3.0-4.0	2.3-3.0	2.3-3.0	2.3-3.5	3.0-4.0	4.0-5.0	2.3-3.0	2.3-3.5	3.0-4.0	4.0-5.0	2.3-3.0	2.3-3.0	2.3-3.5	3.0-4.0	4.0-5.0	
Bit Type (mm)	For EJN / JJE																		
	For EKN / JKE																		
Mass (g)		700			700			890	690			890	690			890			

*1 : This model is made to order.

*2 : Bit Shank; "□"=Hex.5 mm, "□"=Hex.6.35 mm

Torque Diagram (for reference)

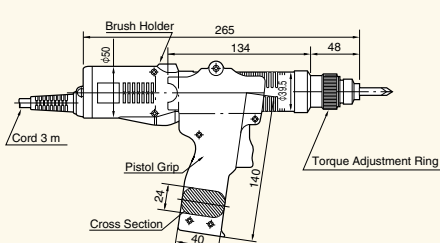


Standard Accessories

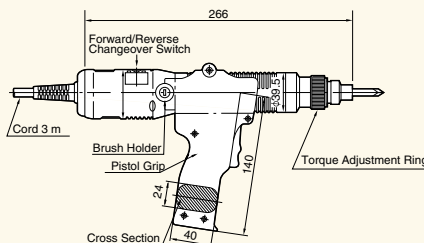
Bit	No.	EJN / JJE	JKE except DLV8150-JKE	EKN / DLV8150-JKE
	No.1 x 6 x 70	1	—	—
No.1 x 7 x 75	—	1	—	—
No.2 x 6 x 70	1	—	—	—
No.2 x 7 x 75	—	1	1	1
No.3 x 7 x 50	—	—	—	1
Spare Carbon Brush		2		
Suspension Bail		1		

External Dimensions

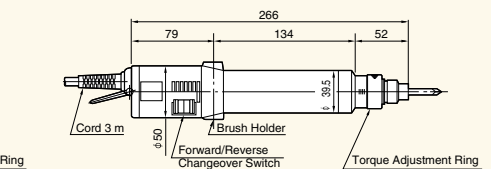
●DLV7251



●DLV8150/8251



●DLV8120/8130/8140/8220/8221/8231/8241



Unit: mm

DLV7100/7200/8100/8200 series

DLV7000/8000 series

■ For Miniature Screws (1.0 - 3.5 mm)

Features

100 / 115 V AC Direct Transformerless Precision Miniature Screw Type

- A built-in controller model saves space and facilitates layout change.
- High repetitive torque accuracy.
- Available with lever type (DLV7000 series) for each screw alignment and push to start type (DLV8000 series) for rapid screw tightening.
- The high-speed type (DLV7031/8031) available at 1200 min⁻¹ for improving work efficiency. (100 V AC only)



Specifications

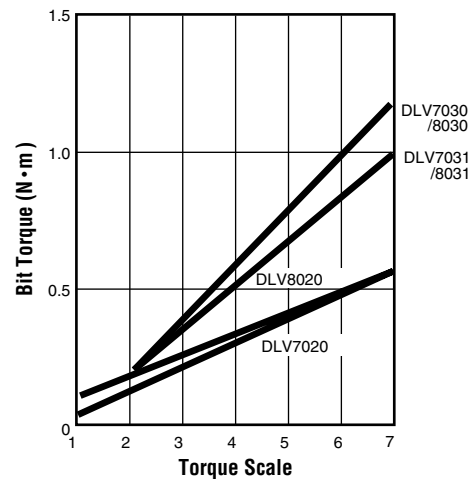
		Standard				High Speed		
Electric Screwdriver	Model	100 V AC Input DLV7020-EMN	DLV7030-EMN	DLV8020-EMN	DLV8030-EMN	DLV7031-EMN	DLV8031-EMN	
		115 V AC Input DLV7020-FME*1	DLV7030-FME*1	DLV8020-FME*1	DLV8030-FME*1			
	Starting Method	Lever Start		Push to Start		Lever Start	Push to Start	
	Torque Adjustment	Stepless						
	Torque (N·m)	0.05 - 0.55	0.3 - 1.1	0.1 - 0.55	0.3 - 1.1	0.3 - 1.0		
	Free Speed (min ⁻¹)	900	650	900	650	1,200		
	Power Consumption (W)	Approx. 25						
	Screw Size (mm)	Machine Screw	1.0 - 3.0	2.0 - 3.5	1.0 - 3.0	2.0 - 3.5	2.0 - 3.0	
		Tapping Screw	1.2 - 2.6	2.0 - 3.0	1.2 - 2.6	2.0 - 3.0	2.0 - 3.0	
	Bit Type (mm)							
Mass (g)	400		410		400	410		

*1: These models are made to order.

Standard Accessories

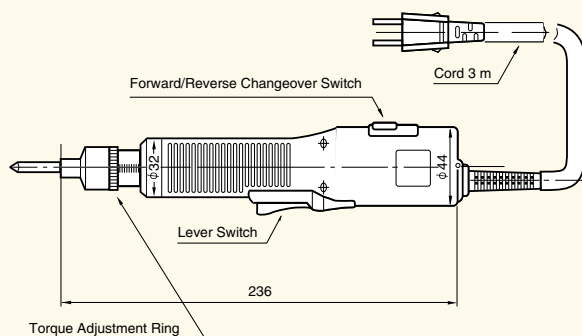
	No.	DLV7020 / 8020	DLV7030 / 8030 / 7031 / 8031
Bit	No.0 x 2.5 x 44	1	—
	No.1 x 3 x 44	—	1
	No.1 x 4 x 44	1	—
	No.2 x 4 x 44	—	1
Suspension Bail		1	

Torque Diagram (for reference)

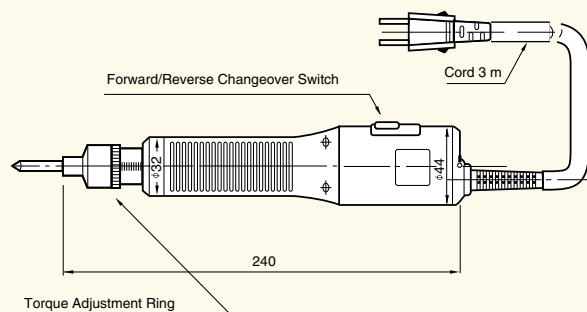


External Dimensions

● DLV7020/7030/7031



● DLV8020/8030/8031



Unit: mm

DLV3100/3300 series ■ For Miniature Screws & Machine Screws (1.0 - 6.0 mm)

Features

A Labor-Saving "delvo" for Automatic Assembly Robot

- Vibration-proof and shock-proof for long continuous screw tightening
- Torque-up signal output
- High repetitive torque accuracy

*1 Models DLV3121 / 3131 / 3141 / 3151 have no bit-holding function. Please order the following models with bit holding function if required, but they require 100 V AC power source and are made to order products.

- DLV3128-EJN • DLV3138-EJN
- DLV3148-EJN • DLV3158-EJN

NOTE: The bit mounting is made in a specific way.

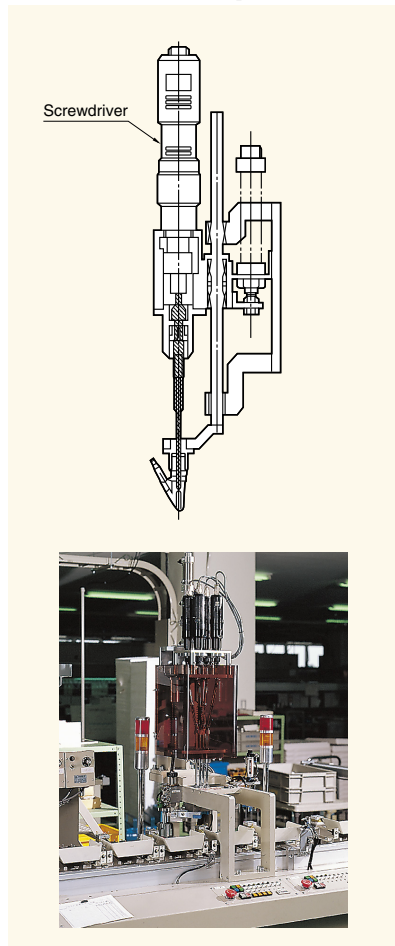


Specifications

		For Miniature Screws		For Machine Screws			
Electric Screwdriver	Model	DLV3321-CMN	DLV3331-CMN	DLV3121-EJN *1	DLV3131-EJN *1	DLV3141-EJN *1	DLV3151-EJN *1
	Input Voltage	36 V DC (supplied from controller)		100 V AC, 50/60 Hz			
	Torque Adjustment	Stepless					
	Torque (N·m)	0.05 - 0.5	0.3 - 1.2	0.25 - 0.7	0.5 - 1.5	1.2 - 3.0	2.0 - 4.5
	Free Speed (min ⁻¹)	900	600	900	600	450	
	Power Consumption (W)	Approx. 35		Approx. 35			
	Screw Size (mm)	Machine Screw	1.0 - 3.0	2.0 - 3.5	2.3 - 2.6	2.6 - 3.5	3.5 - 5.0
	Tapping Screw	1.2 - 2.6	2.0 - 3.0	2.3 - 3.0	2.5 - 3.5	3.0 - 4.0	4.0 - 5.0
Bit Type (mm)	Special bit			5 mm hex standard bit			
Mass (g)		400		900			

Controller	Model	DLC3310	
	Input Voltage	24 V AC, 50/60 Hz	
	Output Voltage	36 V DC	
	Control Function	Autostop	
	Mass (g)	360	

Installation Example



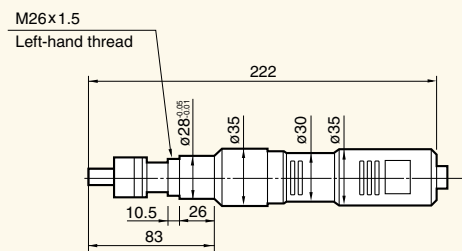
Standard Accessories

Model	DLV3121 / 3131 / 3141 / 3151
Cable	1
Spare Carbon Brush	2

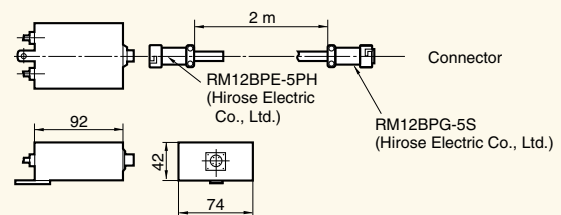
* The 2 m cord exclusively for DLV3321/3331 comes with DLC3310 as a standard accessory.

External Dimensions

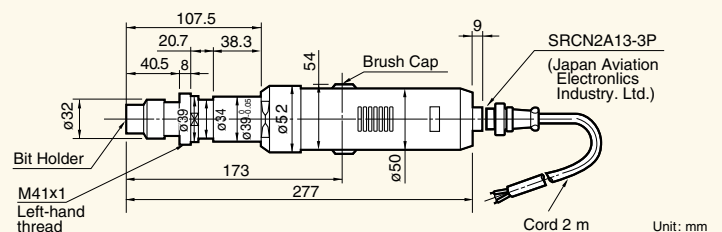
● DLV3321/3331



● DLC3310 (Optional)



● DLV3121/3131/3141/3151



DLV3100/3300 series

DLV7500/8500 series

■ For Machine Screws (2.6 - 6.0 mm)

Features

Ergonomic and Compact

The new "delvo" fulfills the workers' needs for low vibration, low noise, and easy gripping in a compact design.

High Torque Accuracy

The new "delvo" achieves an accurate and consistent torque with an easily visible torque reach light. The combination of an advanced clutch design and the auto-stop circuit assures torque accuracy.

High Durability

More than a million screws can be accurately tightened with the durable gear/clutch mechanism. The long life motor with a yoke made of advanced materials further assures a long service life.

Easy Forward / Reverse Operation

Horizontal rocker switch is easy to operate with the thumb.

Non-slipping Grip, Easy to Grasp

The non-slip surface and shape allows the operator to firmly hold the tool, even at the highest torque settings.

Pull for Bit Release

Holds the bit securely, preventing inadvertent release.

Product Safety

The new "delvo" fully complies with European CE safety standards. An antistatic option is available.

Firm torque control

The torque reach light goes on when the set torque is reached.

Power Cord Connector

The power cord is easily detached and replaced allowing easy repair or workstation redesign.

Easy Maintenance Design

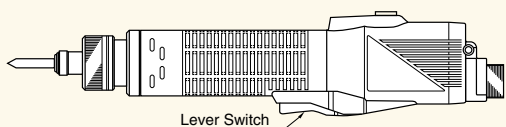
Modular design assures easy maintenance.

Antistatic(ESD)

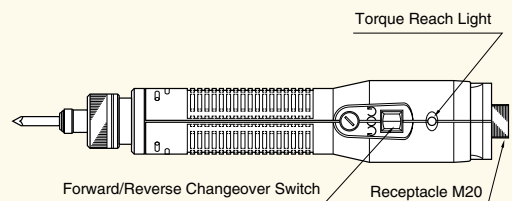
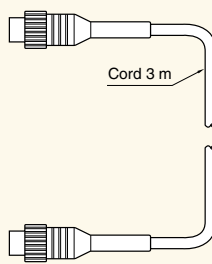
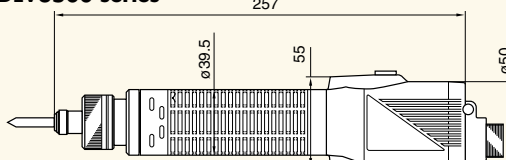
The DLV7500 / 8500-BKE uses the conductible synthetic resin frame body to protect any products which are vulnerable to static electricity. It complies with European static electricity standards (EN100015-1).

External Dimensions

●DLV7500 series



●DLV8500 series



Unit:mm

■ For Machine Screws (2.6 - 6.0 mm)



Specifications

		Standard		High Torque	Standard		High Torque	
Electric Screwdriver	Model	Standard	DLV7530-MKE	DLV7540-MKE	DLV7550-MKE	DLV8530-MKE	DLV8540-MKE	DLV8550-MKE
		ESD	DLV7530-BKE	DLV7540-BKE	DLV7550-BKE	DLV8530-BKE	DLV8540-BKE	DLV8550-BKE
	Starting Method	Lever Start				Push to Start		
	Input Voltage	59 V DC						
	Torque Adjustment	Stepless						
	Torque (N-m)	0.5 - 1.7	1.2 - 2.7	2.0 - 4.5	0.5 - 1.7	1.2 - 2.7	2.0 - 4.5	
	Free Speed (min ⁻¹)	1,100	700	500	1,100	700	500	
	Screw Size (mm)	Machine Screw	2.6 - 4.0	3.5 - 5.0	4.5 - 6.0	2.6 - 4.0	3.5 - 5.0	4.5 - 6.0
		Tapping Screw	2.3 - 3.5	3.0 - 4.0	4.0 - 5.0	2.3 - 3.5	3.0 - 4.0	4.0 - 5.0
	Bit Type (mm)							
Mass (g)	650	650	750	650	650	750		

Measurement point		Conventional product	DLV7500-BKE
Handle	Static Electricity (V)	350	5
	Surface Resistance (Ω)	more than 10 ¹³	10 ⁴
Lever Switch	Static Electricity (V)	350	2
	Surface Resistance (Ω)	more than 10 ¹³	10 ⁴
Forward / Reverse Switch	Static Electricity (V)	25	2
Power Cable	Static Electricity (V)	110	5
	Surface Resistance (Ω)	more than 10 ¹³	10 ¹⁰

Part	Material
Handle Lever Switch	Synthetic resin with carbon fiber
Power Cable	Anti-static material

*Measurement conditions (Temperature:22 °C Humidity:66 %)

- (1) Static electricity ●Earth the measurement equipment and measuring person.
 ●Grip the screwdriver five times using Ansel Edmont electronic control glove.
 ●Turn on the switch of the screwdriver. ●Measure each part of the screwdriver using electronic measurement equipment manufactured by Shishido electrostatic Ltd.
 (2) Surface resistance ●Measure using Simco Japan surface resistivity measurement equipment.

Controller	Model	Features	Input Voltage	Mass (kg)	External Dimensions (mm)
	DLC4511-GGB*1	With Speed Control and Soft Start Function	230 V AC, 50/60 Hz	3.5	W139 x D140 x H81.5
	DLR1510-JE*2	Screw Counter		5.1	W143 x D177 x H126

*1 Shape of plug for power supply is "Europe" type.

*2 Please see page 17 for details of DLC4511-GGB and DLR1510-JE.

Standard Accessories

No.	DLV7530 / 7540 / 8530 / 8540	DLV7550 / 8550
Bit		
No.1 x 7 x 75	1	—
No.2 x 7 x 75	1	1
No.3 x 7 x 50	—	1
Spare Carbon Brush	2	
Power Cord	1	
Suspension Bail	1	



DLC4511-GGB



DLR1510-JE

DLV7500/8500 series

Controller with Speed Adjustment and Screw Counter

■ For DLV7500/8500 series

● DLC4511-GGB/DLR1510-JE



DLC4511-GGB



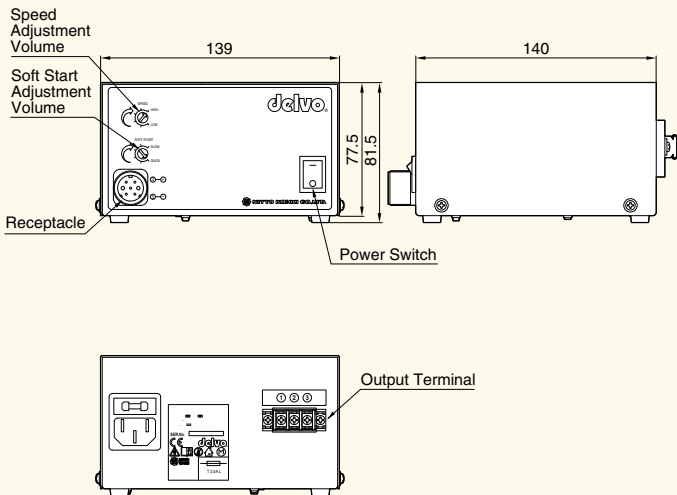
DLR1510-JE

Specifications

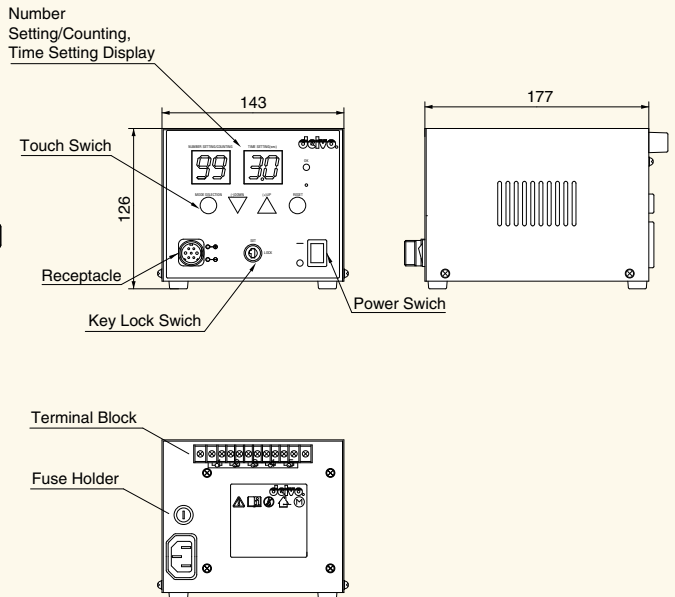
Model	Control Function	Input Voltage	Mass (kg)	External Dimensions (mm)
DLC4511-GGB	Stepless speed adjustment - 80 - 100 % Soft start - adjustable time setting of slow speed (max. 3 sec.) External output signals - Start and Torque up Electro-Static Discharge(ESD) Control	230 V AC, 50/60 Hz	3.5	W139 x D140 x H81.5
DLR1510-JE	Screw counting - OK lamp and buzzer for notification Variable non-operation time Setting protection by key lock switch Setting by touch switch for easy operation External output signals - Start, Torque up, Count up & Cycle OK		5.1	W143 x D177 x H126

External Dimensions

●DLC4511-GGB



●DLR1510-JE



Unit: mm

Controller with Speed Adjustment and Screw Counter

Multiple Controllers

■ For DLV7300 series

● AC Power Supply DLE3610/Controller DLC2310

Designed specially for use with up to a maximum of 24 "delvo" 7300 Series Electric Screwdrivers connected with attached 15 m extension cords drawn out on both sides (each side handles up to 12 screwdrivers),

DLE3610 AC Power Supply and DLC2310 Controller can boost productivity and reduce costs of setting up production lines. The dedicated controller DLC2310 is employed for each screwdriver. If more than four units of DLV7300 series are used, installation cost of Model DLE3610 and DLC2310 will be beneficial effectively.



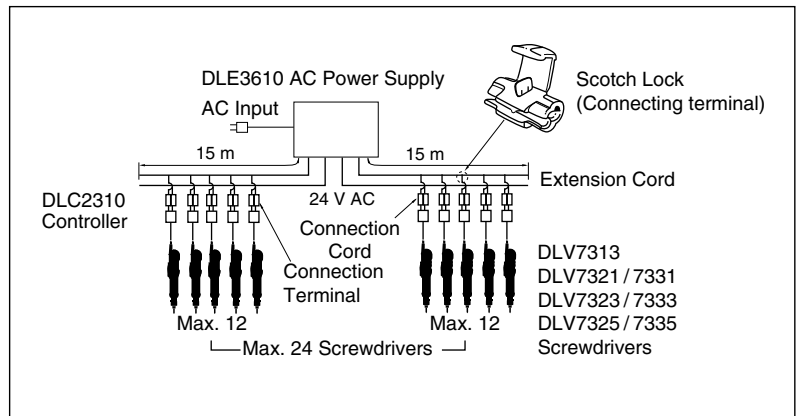
DLE3610



DLC2310

Model	DLE3610-EN
Input Voltage (Primary Side)	100 V AC, 50/60 Hz
Secondary Output	24 V AC, 15 A
Capacity	360 VA
External Dimensions (mm)	W190 x D188 x H134
Shape of Plug for Power Supply	Asia
Mass (kg)	9
Accessories	Two 15 m extension cords

Model	DLC2310-CE
Input Voltage (Primary Side)	24 V AC, 50/60 Hz
Secondary Output	36 V DC, 2 A
Control Function	Auto stop
External Dimensions (mm)	W74 x D118 x H42
Mass (kg)	0.36
Accessories	Two 0.5 m connection cords and two scotch locks (Connecting terminal)



● Multiple Controller DLC1215

DLC1215 can control two screwdrivers by one controller.

Model	DLC1215-EN	DLC1215-GE
Input Voltage	100 V AC	220 V AC
Output Voltage	36 V DC x 2	
Control Function	Auto stop	
Shape of Plug for Power Supply	Asia	
External Dimensions (mm)	W143 x D145 x H102	
Mass (kg)	2.4	



DLC1215

NOTE: Each "delvo" screwdriver should be operated independently when tightening screws even though this controller will support up to two "delvo" screwdrivers. Operating two units simultaneously may cause malfunction of the controller.

Multiple Controllers

DLV7100/7200/8100/8200 115V series ■ For Machine Screws (2.6 - 6.0 mm)

DLV7100/7200/8100/8200 (115V) series



Features

Long Time Selling, Reliable, and High Performance

- Transformerless space saving model built in automatic stop circuit.
- Combination of unique clutch mechanism and automatic stop circuit maintains high repetitive torque accuracy.
- The lever start type DLV7100 / 7200 series is suited for temporarily tightening screws and tightening screws set at angles.
- The DLV8100 / 8200 series is push to start type for continuous screw tightening.
- The high speed type DLV7200 / 8200 series enhances working efficiency.
- The high torque type DLV7251 / 8150 / 8251 series is equipped with a grip, which is useful for tightening big screws like 6 mm machine screws.

Specifications

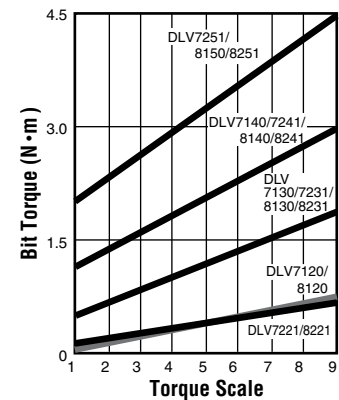
Model	Bit Shank: Hex. 5 mm Bit Shank: Hex. 6.35 mm	Standard			High Speed			High Torque	Standard			High Torque	High Speed			High Torque
		DLV7120-LJT	DLV7130-LJT	DLV7140-LJT	DLV7221-LJT	DLV7231-LJT	DLV7241-LJT	DLV7251-LKT	DLV8120-LJT	DLV8130-LJT	DLV8140-LJT	DLV8150-LJT	DLV8221-LKT	DLV8231-LKT	DLV8241-LKT	DLV8251-LKT
Starting Method		Lever Start							Push to Start							
Input Voltage		115 V AC, 50/60 Hz														
Torque Adjustment		Stepless														
Torque (N·m)		0.25-0.75	0.5-1.7	1.2-3.0	0.35-0.7	0.5-1.7	1.2-3.0	2.0-4.5	0.25-0.75	0.5-1.7	1.2-3.0	2.0-4.5	0.35-0.7	0.5-1.7	1.2-3.0	2.0-4.5
Free Speed (min ⁻¹)		900	900	600	1,800	1,800	1,100	700	900	900	600	400	1,800	1,800	1,100	700
Power Consumption (W)		Approx. 35			Approx. 45				Approx. 35			Approx. 45				
Screw Size (mm)	Machine Screw	2.6-3.0	2.6-4.0	3.5-5.0	2.6-3.0	2.6-4.0	3.5-5.0	4.5-6.0	2.6-3.0	2.6-4.0	3.5-5.0	4.5-6.0	2.6-3.0	2.6-4.0	3.5-5.0	4.5-6.0
	Tapping Screw	2.3-3.0	2.3-3.5	3.0-4.0	2.3-3.0	2.3-3.5	3.0-4.0	4.0-5.0	2.3-3.0	2.3-3.5	3.0-4.0	4.0-5.0	2.3-3.0	2.3-3.5	3.0-4.0	4.0-5.0
Bit Type (mm)	For LJT															
	For LKT															
Mass (g)		700			700			890	690			890	690			890

- *1 : All models of LJT / LKT series are made to order.
*2 : Only Chinese instruction manual is available for LJT / LKT series.

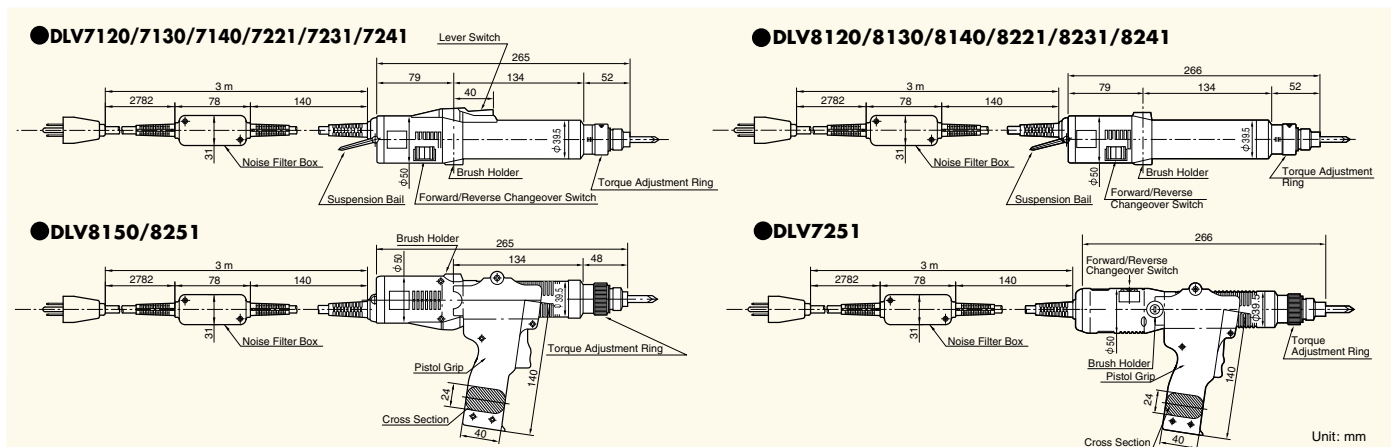
Standard Accessories

	No.	LJT	LKT except DLV7251 / 8150 / 8251-LKT	DLV7251 / 8150 / 8251-LKT
Bit	No.1 x 6 x 70	1	—	—
	No.1 x 7 x 75	—	1	—
	No.2 x 6 x 70	1	—	—
	No.2 x 7 x 75	—	1	1
	No.3 x 7 x 50	—	—	—
Spare Carbon Brush			2	
Suspension Bail			1	

Torque Diagram (for reference)



External Dimensions



Electric screwdrivers bearing **CCC mark** (China Compulsory Certification mark) are available exclusively for China market.

Specifications

Electric Screwdriver	Model	Lever Start	DLV30SL-MKC	DLV30HL-MKC	DLV30SL-MJC	DLV30HL-MJC
		Push to Start	DLV30SP-MKC	DLV30HP-MKC	DLV30SP-MJC	DLV30HP-MJC
	Input Voltage		230 V AC, 50/60 Hz			
	Torque Adjustment (N·m)	Low Torque Spring (Standard Accessory)	0.4 - 1.6			
		High Torque Spring (Built-in)	1.2 - 3.0			
	Free Speed (min ⁻¹)		1,200	2,000	1,200	2,000
	Power Consumption (W)		Approx. 45			
	Screw Size (mm)	Machine Screw	2.6 - 5.0			
		Tapping Screw	2.5 - 4.0			
	Bit Type (mm)					
Mass (g)		700				
Standard Accessories		● Bit No.2 x 7 x 75 : 1 pc. ● Suspension Bail : 1 pc. ● Low Torque Spring : 1 pc.		● Bit No.2 x 6 x 70 : 1 pc. ● Suspension Bail : 1 pc. ● Low Torque Spring : 1 pc.		



Electric Screwdriver	Model (220 V)	Lever Start	DLV7120-JJC	DLV7130-JJC	DLV7140-JJC	High Torque	High Speed	
		Push to Start	DLV8120-JJC	DLV8130-JJC	DLV8140-JJC	DLV8150-JJC	DLV8231-JJC	DLV8241-JJC
		Lever Start	DLV7120-JKC	DLV7130-JKC	DLV7140-JKC	DLV8150-JKC	DLV8231-JKC	DLV8241-JKC
		Push to Start	DLV8120-JKC	DLV8130-JKC	DLV8140-JKC	DLV8150-JKC	DLV8231-JKC	DLV8241-JKC
	Torque Adjustment		Stepless					
	Torque (N·m)		0.25 - 0.75	0.5 - 1.7	1.2 - 3.0	2.0 - 4.5	0.5 - 1.7	1.2 - 3.0
	Free Speed (min ⁻¹)		900		600	400	1,800	1,100
	Power Consumption (W)		Approx. 35					
	Screw Size (mm)	Machine Screw	2.6 - 3.0	2.6 - 4.0	3.5 - 5.0	4.5 - 6.0	2.6 - 4.0	3.5 - 5.0
		Tapping Screw	2.3 - 3.0	2.5 - 3.5	3.0 - 4.0	4.0 - 5.0	2.5 - 3.5	3.0 - 4.0
Bit (mm)		● JJC type	● JKC type					
Mass (g)		700(7100 series), 690(8100 series)			890	700(7200 series), 690(8200 series)		
Standard Accessories		Each 1 pc.of bit No.1 x 6 x 70 / No.2 x 6 x 70(In the case of DLV7251 / 8150 / 8251 each 1 pc.of No.2 x 7 x 75 / No.3 x 7 x 50) 1 pc. Suspension Bai, 2 pcs. Carbon Brush						

Electric Screwdriver	Model	DLV7321-CMC	DLV7331-CMC	DLV7321-CKC	DLV7331-CKC	
	Starting Method	Lever Start				
	Input Voltage	36 V DC				
	Torque Adjustment	Stepless				
	Torque (N·m)	0.05 - 0.5	0.3 - 1.2	0.05 - 0.5	0.3 - 1.2	
	Free Speed (min ⁻¹)	700 - 1,000	500 - 700	700 - 1,000	500 - 700	
	Power Consumption (W)	Approx. 35				
	Screw Size (mm)	Machine Screw	1.0 - 3.0	2.0 - 3.5	1.0 - 3.0	2.0 - 3.5
		Tapping Screw	1.2 - 2.6	2.0 - 3.0	1.2 - 2.6	2.0 - 3.0
	Bit (mm)					
Mass (g)		350				

Controller	Model	DLC1213-GC	
	Input Voltage	220 V AC, 50/60 Hz	
	Control Function	Auto Stop, Soft Start, Speed Control	
	Mass (g)	2,300	

Electric Screwdriver	Model	DLV5720C	DLV5720HC	DLV5740C	DLV5740HC	DLV5750C	
	Starting Method	Lever Start					
	Torque Adjustment	Stepless					
	Torque (N·m)	0.02 - 0.2		0.15 - 0.4		0.1 - 0.55	
	Free Speed (min ⁻¹)	500 - 750	700 - 1,000	450 - 600	1,200 - 1,800	670 - 1,000	
	Power Consumption (W)	Approx. 10		Approx. 35			
	Screw Size (mm)	Machine Screw	1.0 - 2.3		1.6 - 2.6		1.0 - 3.0
		Tapping Screw	1.0 - 2.0		1.4 - 2.3		1.0 - 2.6
	Bit (mm)						
	Mass (g)		230			300	
Standard Accessories		Bit(No.0 x 1.8 x 44 • No.0 x 2.5 x 44) Each 1 piece Connection Cable (1.5 m) DLW9081 : 1 piece Suspension Bail : 1 piece Spring for Low Torque : 1 piece		Bit(No.0 x 2.5 x 44 • No.1 x 4 x 44) Each 1 piece Connection Cable (1.5 m) DLW9081 : 1 piece Suspension Bail : 1 piece			

Controller	Model	DLC0350GC		DLC0950GC	
	Input Voltage	220 V AC, 50/60 Hz			
	Mass (g)	900		1,800	

* The Controller incorporates the safe resistance that is installed between the bit and the power source cord.

CCC mark

DLR5040A-WE

■ Screw Fastening Counter

Features

For prevention of human fastening errors and enhanced fastening management accuracy

- Ideally suited for the assembly lines of vehicles and electrical equipment requiring reliable screw fastening.
- The controller receives signals from electric screwdrivers to provide highly reliable screw fastening control.
- Count Return Function: When a screw is loosened, a reverse signal output from the electric screwdriver reverses the count by one.
- The Count Correction Function does not count elevated screws or double fastening as fastening errors.
- Input voltage range from 100 to 240 V AC is acceptable in any part of the world. (The screwdrivers to be used in combination with the counter require input power supplies that are written on the respective nameplate.)
- Link Connection Function: You can build up a simple sequential screw tightening system by connecting the DLR5640 screw tightening counters in series without using any external controller such as a programmable controller.
- Driver Lock Function prevents unexpected start of screwdrivers.
- Compact and Lightweight (Compared with our conventional models decreased by 30 % in volume and by 38 % in mass.)
- SPC type screwdrivers for DLR5040A-WE are designed on the basis of established transformerless screwdrivers.



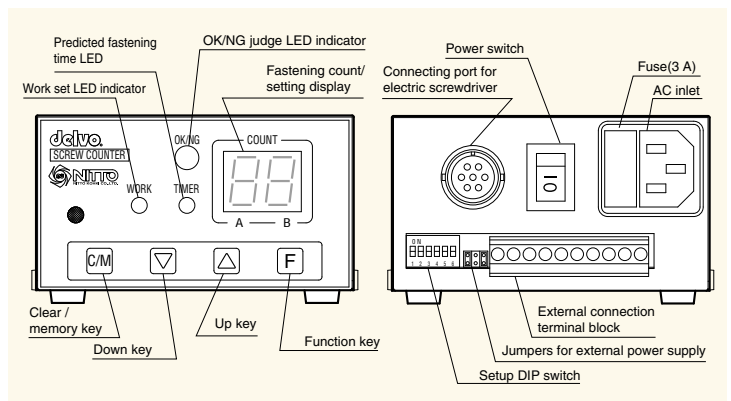
◀ Example of use together with a sensor available in the market

Specifications

Model	DLR5040A-WE
Count	1 - 99
Counting Method	Count-up / Count-down
Count Correction Function	Count normal fastening only
Self Adjustable Timer Setting	0.01 to 0.99 second
Work Detection Function	Yes (1 terminal) / No
External Count Input	2 terminals (PARTS A / PARTS B)
Work Installation Timer Setting	0 to 9.5 seconds
OK Output Timer Setting	0 to 9.5 seconds
NG Alarm	ON(1) / ON(2) / OFF
OK Buzzer	ON(1) / ON(2) / ON(3) / OFF
Count Return Function	ON / OFF
NG Judge Timing	WORK SET / DRIVER ON
Automatic / Manual OK Judge	AUTO / MANUAL
Screwdriver Lock Function	ON / OFF
Multiple Link	Up to 10 counters can be connected.
External Inputs on Terminal Block	SENSOR / RESET / LINK-IN / PARTS A / PARTS B
External Outputs on Terminal Block	OK / NG / LINK-OUT
Parameter Memory	Parameters stored in internal nonvolatile memory
Power Supply	100 - 240 V AC, 50/60 Hz See the bottom asterisk.*
External Dimensions (mm)	W100 × D120 × H60
Mass (kg)	0.47

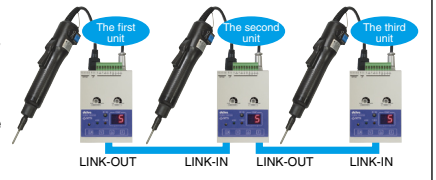
Accessory : 2 m cord with UL three-prong plug.
This product is for use outside Japan.

Front and Rear Panels



LINK Function

When counters are connected via multiple link connection, all screwdrivers are placed in the standby state and will not start except the one to be initially operated. In the connection shown on the right, all screws will be fastened by the time the third screwdriver finishes screws. (Up to 10 counters can be connected.)



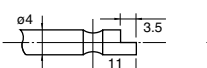
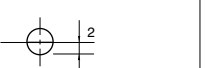
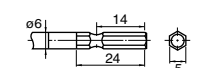
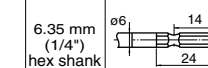
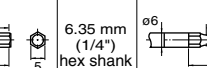
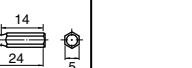
Dedicated Screwdrivers for DLR5040A-WE



TD04061 SPC cord for commercial power source (optional)



Dedicated screwdrivers can be directly plugged in commercial power source.

Dedicated Screwdrivers	Miniature Screw(1.0 - 3.5 mm)						Machine Screw(2.6 - 6.0 mm)						DLV30 Type				
	Model	Lever Start	DLV7020-SPC	DLV7030-SPC	DLV7031-SPC	DLV8020-SPC	DLV8030-SPC	DLV8031-SPC	DLV8120-SPC	DLV8130-SPC	DLV8140-SPC	DLV8150-SPC	DLV8231-SPC	DLV8241-SPC	DLV8251-SPC	DLV30SP-SPC	DLV30HP-SPC
Input Voltage		100 V AC, 50/60 Hz															
Torque Adjustment		Stepless															
Torque (N·m)		0.05 - 0.55	0.30 - 1.10	0.30 - 1.00	0.10 - 0.55	0.30 - 1.10	0.30 - 1.00	0.25 - 0.75	0.50 - 1.70	1.20 - 3.00	2.00 - 4.50	0.50 - 1.70	1.20 - 3.00	2.00 - 4.50	0.40 - 3.00		
Free Speed (min ⁻¹)		900	650	1,200	900	650	1,200	1,000	700	450	2,000	1,200	700	1,200	2,000		
Power Consumption (W)		Approx. 25		Approx. 30		Approx. 25		Approx. 30		Approx. 35			Approx. 45				
Screw Size (mm)	Machine Screw	1.0 - 3.0	2.0 - 3.5	2.0 - 3.0	1.0 - 3.0	2.0 - 3.5	2.0 - 3.0	2.6 - 3.0	2.6 - 4.0	3.5 - 5.0	4.5 - 6.0	2.6 - 4.0	3.5 - 5.0	4.5 - 6.0	2.6 - 5.0		
	Tapping Screw	1.2 - 2.6	2.0 - 3.0	2.0 - 3.0	1.2 - 2.6	2.0 - 3.0	2.0 - 3.0	2.3 - 3.0	2.5 - 3.5	3.0 - 4.0	4.0 - 5.0	2.5 - 3.5	3.0 - 4.0	4.0 - 5.0	2.5 - 4.0		
Bit Type (mm)																	
Mass (g)		380		390		710(7100series) / 670(8100series)			810			710(7200series)/670(8200series)		810		700	
Cord Length (m)		3 (with connector)															
Output Signals		Start, Torque up, Reverse															
Grounding Bit Feature		Equipped as standard															

* The voltage of the dedicated screwdrivers for DLR5040A-WE is 100 V. When you need different voltage screwdrivers, please contact our distributor or us.

DLR5340-WE

■ Screw Fastening Counter

Features

Up to three sets screwdrivers can be connected to one counter.

- Up to eight kinds of screw fastening conditions can be stored in internal memory for a wide variety of assembly work.
- Count-up signal outputs.
- Space saving.
- The Count Correction Function does not count elevated screws or double fastening as fastening errors.
- Count Return Function: When a screw is loosened, a reverse signal output from the electric screwdriver reverses the count by one.

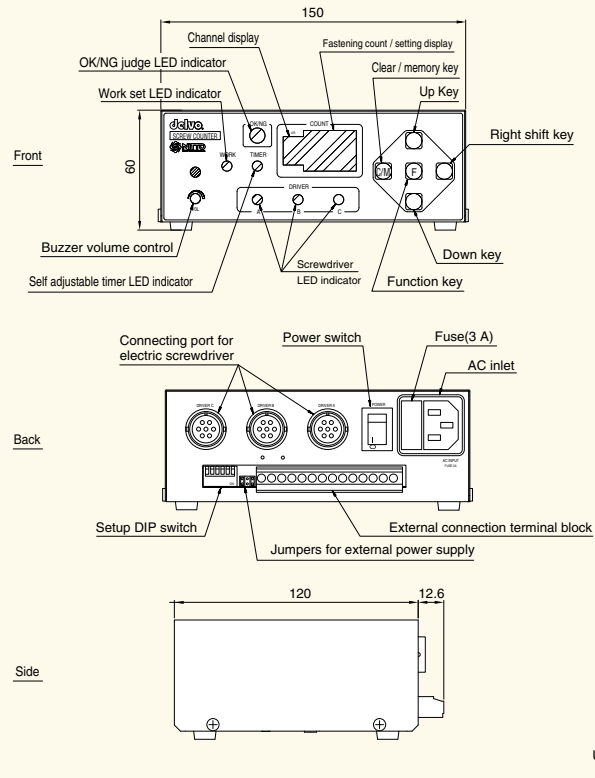


Specifications

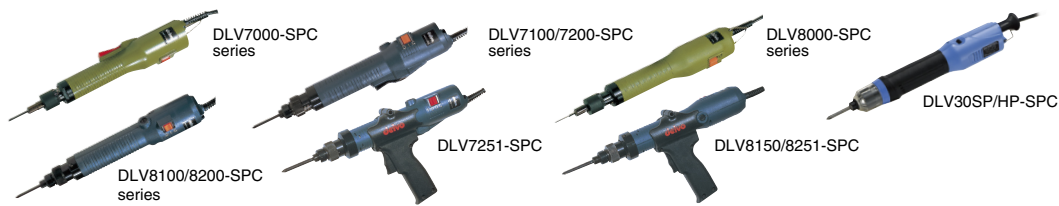
Model	DLR5340-WE
Count	0 - 99
Counting Method	Count-up / Count-down
Count Correction Function	Count normal fastening only
Self Adjustable Timer Setting	0.01 to 2.50 seconds
Work Detection Function	Yes (1 terminal) / No
Work Installation Timer Setting	0 to 9.5 seconds
OK Output Timer Setting	0 to 9.5 seconds
NG Alarm	ON(1) / ON(2) / OFF
OK Buzzer	ON(1) / ON(2) / ON(3) / ON(4) / ON(5) / OFF
Count Return Function	ON / OFF
Screwdriver Lock Function	ON / OFF
Screwdriver Cord Connection	Single cord connection (Signal and power lines)
External Inputs on Terminal Block	SENSOR / RESET / TORQUE CHECK ch1/2/3
External Outputs on Terminal Block	OK, NG, COUNT-UP, DRIVER A/B/C
Power Supply	100 - 240 V AC, 50/60 Hz See the bottom asterisk.*
External Dimensions (mm)	W150 × D120 × H60
Mass (kg)	0.62

Accessory : 2 m cord with UL three-prong plug.
This product is for use outside Japan.

Front and Rear Panels



Dedicated Screwdrivers for DLR5340-WE



TD04061 SPC cord for commercial power source (optional)



Dedicated screwdrivers can be directly plugged in commercial power source.

Dedicated Screwdrivers	Miniature Screw(1.0 - 3.5 mm)						Machine Screw(2.6 - 6.0 mm)						DLV30 Type			
	Lever Start	DLV7020-SPC	DLV7030-SPC	DLV7031-SPC	DLV8020-SPC	DLV8030-SPC	DLV8031-SPC	DLV8120-SPC	DLV8130-SPC	DLV8140-SPC	DLV8150-SPC	DLV8231-SPC	DLV8241-SPC	DLV8251-SPC	DLV30SP-SPC	DLV30HP-SPC
Input Voltage	Push to Start															
Input Voltage		100 V AC, 50/60 Hz														
Torque Adjustment		Stepless														
Torque (N·m)		0.05 - 0.55	0.30 - 1.10	0.30 - 1.00	0.10 - 0.55	0.30 - 1.10	0.30 - 1.00	0.25 - 0.75	0.50 - 1.70	1.20 - 3.00	2.00 - 4.50	0.50 - 1.70	1.20 - 3.00	2.00 - 4.50	0.40 - 3.00	
Free Speed (min⁻¹)		900	650	1,200	900	650	1,200	1,000		700	450	2,000	1,200	700	1,200	2,000
Power Consumption (W)		Approx. 25		Approx. 30	Approx. 25		Approx. 30		Approx. 35			Approx. 45				
Screw Size (mm)	Machine Screw	1.0 - 3.0	2.0 - 3.5	2.0 - 3.0	1.0 - 3.0	2.0 - 3.5	2.0 - 3.0	2.6 - 3.0	2.6 - 4.0	3.5 - 5.0	4.5 - 6.0	2.6 - 4.0	3.5 - 5.0	4.5 - 6.0	2.6 - 5.0	
Screw Size (mm)	Tapping Screw	1.2 - 2.6	2.0 - 3.0	2.0 - 3.0	1.2 - 2.6	2.0 - 3.0	2.0 - 3.0	2.3 - 3.0	2.5 - 3.5	3.0 - 4.0	4.0 - 5.0	2.5 - 3.5	3.0 - 4.0	4.0 - 5.0	2.5 - 4.0	
Bit Type (mm)											6.35 mm (1/4") hex shank					
Mass (g)		380			390		710(7100series) / 670(8100series)			810	710(7200series)/670(8200series)			810	700	
Cord Length (m)		3 (with connector)														
Output Signals		Start, Torque up, Reverse														
Grounding Bit Feature		Equipped as standard														

* The voltage of the dedicated screwdrivers for DLR5340-WE is 100 V. When you need different voltage screwdrivers, please contact our distributor or us.

DLR5340-WE

DLR5640-WN

■ Screw Fastening Counter

Features

The self-adjustable timer function automatically assesses the time required to complete fastening each screw and reflects it on the judging time setting.

- Ideally suited for the assembly lines of vehicles and electrical equipment requiring reliable screw fastening.
- The controller receives signals from electric screwdrivers to provide highly reliable screw fastening control.
- Functions of the controller and counter are integrated into a single unit.
- Count Return Function: When a screw is loosened, a reverse signal output from the electric screwdriver reverses the count by one.
- The self-adjustable timer function automatically assesses the time required to complete tightening each screw and reflects it on the judging time setting.
- The Count Correction Function does not count elevated screws or double fastening as fastening errors.
- External Count Function: To be available to various assembling jobs, the DLR5640 enables counting of two kinds of parts (up to 9 counts each) in addition to the screw tightening counting. These kinds of counting can be used together.
- Link Connection Function: You can build up a simple sequential screw tightening system by connecting the DLR5640 screw tightening counters in series without using any external controller such as a programmable controller.
- Driver Lock Function prevents unexpected start of screwdrivers.
- Desktop or wall-hung installation is available.
- Input voltage range from 100 V AC to 240 V AC is acceptable in any part of the world.



Specifications

Model	DLR5640-WN
Count	1 - 99
Counting Method	Count-up / Count-down
Count Correction Function	Count normal fastening only
Self Adjustable Timer Setting	0.01 to 0.99 second
Work Detection Function	Yes (1 terminal) / No
External Count Input	2 terminals (PARTS A / PARTS B)
Work Installation Timer Setting	0 to 9.5 seconds
OK Output Timer Setting	0 to 9.5 seconds
NG Alarm	ON(1) / ON(2) / OFF
OK Buzzer	ON(1) / ON(2) / ON(3) / OFF
Count Return Function	ON / OFF
NG Judge Timing	WORK SET / DRIVER ON
Automatic / Manual OK Judge	AUTO / MANUAL
Screwdriver Lock Function	ON / OFF
Multiple Link	Up to 10 counters can be connected.
External Inputs on Terminal Block	SENSOR / RESET / LINK-IN / PARTS A / PARTS B
External Outputs on Terminal Block	OK / NG / LINK-OUT
Parameter Memory	Parameters stored in internal nonvolatile memory
Screwdriver Control	SPEED / LINEAR START
Power Supply	100 - 240 V AC, 50/60 Hz
Screwdriver Power Supply	33 V DC, 1.5 A
External Dimensions (mm)	W101 × D140 × H57
Mass (kg)	0.8
Accessories	Power cord with U.S.A plug (2 m) Suspension bail (2 pcs.)

Screw Counter

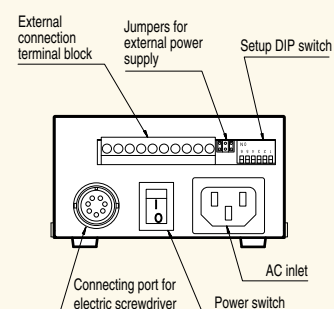
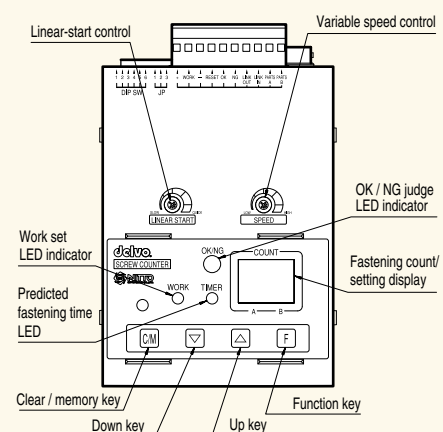


▲ Example of use together with a sensor available in the market



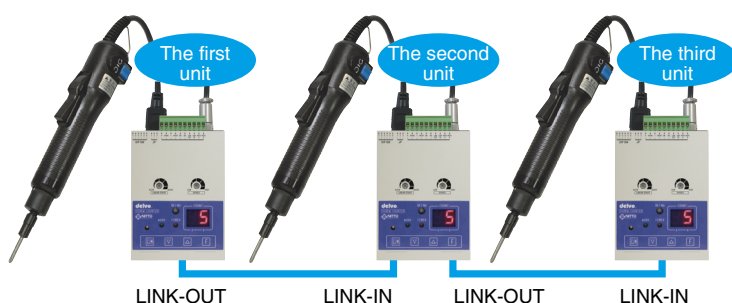
▲ The example of installation

Front and Rear Panels



LINK Function (Common to DLR5040A & DLR5640)

When counters are connected by way of LINK connection, the screwdrivers excluding the one to be operated become standby state and cannot be operated. Whole screw fastening is completed when the screw fastening of the third screwdriver finished.
N.B: Up to 10 counters can be connected.



Screwdrivers designed for DLR5640-WN

■ Screw Fastening Counter



DLR5640-WE



DLV7410A/7410HA/7420A-SPC



DLV7321/7331-SPC

Specifications

Model	DLV7410A-SPC	DLV7410HA-SPC	DLV7420A-SPC	DLV7321-SPC	DLV7331-SPC
Starting Method	Lever start switch				
Torque Adjustment	Stepless				
Torque (N·m)	0.02 - 0.20		0.15 - 0.40	0.10 - 0.50	0.30 - 1.20
Free Speed (min ⁻¹)	500 - 750	700 - 1,000	450 - 600	300 - 1,000	200 - 700
Power Consumption (W)	Approx. 10			Approx. 35	
Screw Size (mm)	Machine Screw	1.0 - 2.3		1.0 - 3.0	2.0 - 3.5
	Tapping Screw	1.0 - 2.0		1.2 - 2.6	2.0 - 3.0
Bit Type (mm)					
Electrostatic Countermeasure	Complied with EN100015-1				
Mass (g)	230			350	
Cord Length (m)	1.5 (with connector)				
Output Signals	Start, Torque up, Reverse				
Grounding Bit Feature	Equipped as standard				

Combinations with Electric Screwdrivers

Screwdriver Model	Connection	Remarks
DLV7410A / 7410HA / 7420A-SPC	The cord comes with screwdriver	Screwdriver for the screw fastening counter only
DLV7321 / 7331-SPC	Direct connection to power source	
DLV7410A / 7410HA / 7420A / 7419 / 7419HA / 7429-BMN	Optional conversion cord (TD02925 DLW9072)	General-purpose screwdriver *1

*1: The Count Return Function is not available.

Optional Cord



DLW9072(TD02925)



Conversion cord from 5-prong to 6-prong(TD02826)

DLR5640-WN

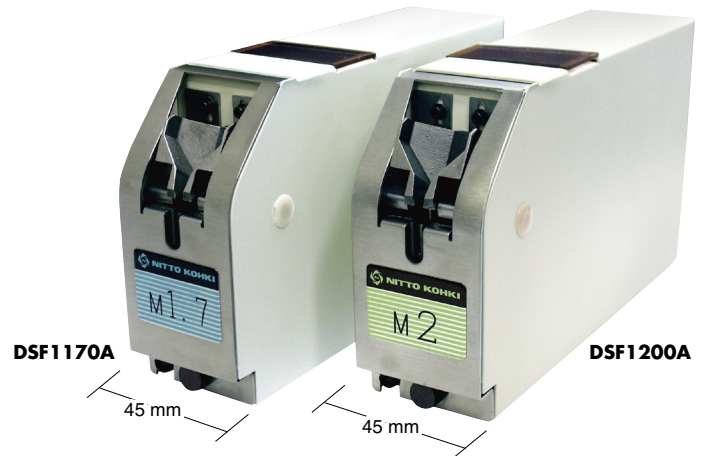
DSF1000 series A type

■ Screw Feeder NKBIDA

Features

The smallest ever and space saving.

- Prompt and steady screw feeding minimizes the waiting time for the next screw.
- ESD complied design prevents possible damage on electric parts by electrostatic discharge.
- Incorporated power supply adapter saves extra space and enables easy production line layout changes.
- Accepts screws with head thickness up to 0.15 mm.



Specifications

Model	DSF1120A	DSF1140A	DSF1170A	DSF1200A	
Input Voltage	100 V AC, 50/60 Hz	DSF1120A-EN	DSF1140A-EN	DSF1170A-EN	DSF1200A-EN
	115 V AC, 50/60 Hz	DSF1120A-FE	DSF1140A-FE	DSF1170A-FE	DSF1200A-FE
	230 V AC, 50/60 Hz	DSF1120A-GE	DSF1140A-GE	DSF1170A-GE	DSF1200A-GE
Nominal Screw Diameter (mm)	ø1.2	ø1.4	ø1.7	ø2	
Tank Capacity *	1,000 pcs.	700 pcs.	400 pcs.	350 pcs.	
Screw Feed Speed	Less than one second per piece				
Dimensions (mm)	W45 x D170 x H102				
Mass (kg)	1.5				
Power Consumption (W)	Approx. 5				
Shape of Plug for Power Supply	Asia				
Accessories	Hex. Wrench : 1 pc. Power cord : 1 pc. of 2 m				

* The tank capacity is a guideline when the tank is filled up with screws of 5 mm long.

Applicable Screw Size

(Unit: mm)

Nominal Diameter	Head Shape	Head Diameter	Head Thickness	Length	Major Diameter of External Thread
ø1.2	Pan head	ø1.5 - ø2.0	0.15 - 0.50	2 - 5	Up to 1.2
ø1.4		ø1.7 - ø2.7	0.15 - 0.70		Up to 1.4
ø1.7		ø1.9 - ø3.2	0.15 - 0.90		Up to 1.7
ø2		ø2.3 - ø3.5	0.15 - 1.00		Up to 2.0
ø1.2	Countersunk head	ø1.5 - ø2.0	0.15 - 0.50	3 - 5	Up to 1.2
ø1.4		ø1.7 - ø2.7	0.15 - 0.70		Up to 1.4
ø1.7		ø1.9 - ø3.2	0.15 - 0.90		Up to 1.7
ø2		ø2.3 - ø4.2	0.15 - 1.30		Up to 2.0

* The tank capacity is a guideline when the tank is filled up with screws of 5 mm long.

Optional Expansion Tank

Part No.	TD04943			
Tank Capacity *	for DSF1120 6,000 pcs.	for DSF1140 4,000 pcs.	for DSF1170 2,400 pcs.	for DSF1200 2,000 pcs.

* The tank capacity is a guideline when the tank is filled up with screws of 5 mm long.



The total tank capacity can be increased by mounting optional screw container on top.

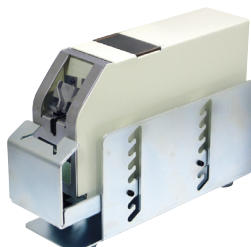


Example of use



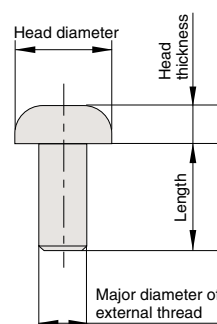
Screw tray

The tray for receiving the screws dropped from the bit guide. The body height adjustment can be done at 10 mm interval. (Possible to tilt the front body forward)

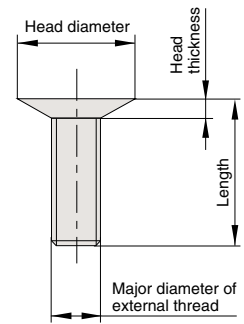


Example of use

● Pan Head

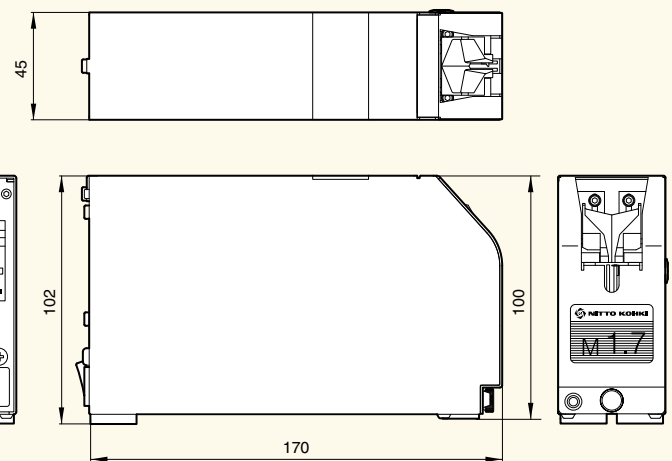


● Countersunk Head



External Dimensions

● DSF1000A series



Unit: mm

DLT1133/1173/1633/1673 series

Features

- Store the measured data up to 100 ones even after the power is turned off, preventing any data loss. In addition, the data can be fed into a personal computer through RS232C connector, realizing paperless control for measured torque data.
- Free program designed for uploading the torque data stored in "delvo" torque checkers into computers can be downloaded from NITTO KOHKI's website. <http://www.nitto-kohki.co.jp/e/>
- Can run 15 hours continuously with the battery fully charged (more than two weeks on the condition of one-hour operation per day). In addition, it is of energy saving type with AUTO POWER OFF function (to turn OFF power automatically when left unused for 10 minutes).



DLT1633

Specifications

Model	DLT1133	DLT1173	DLT1633	DLT1673
Measurement Range (N·m)	0.015 - 1.5		0.15 - 6.5	
Calibration Precision	Within $\pm 0.5\%$ (Full Scale), For 0.2 N·m or less, ± 1 digit		Within $\pm 0.5\%$ (Full Scale), For 2 N·m or less, ± 1 digit	
Display	4-digit digital display (Single-line)		Data sampling : 1,000 times/sec	Display rate : 12 times/sec
Measuring Unit	kgf · cm · N · m · lbf · in (selectable)			
Data Memory	100 pieces of data			
Measuring Direction	CW and CCW			
Measuring Mode	3 modes : PD-TR-PP			
Auto Power Off	Powered off if left untouched for 10 minutes			
External Output	As per RS232C output (single-direction, no procedure, 100 data items)		Mitsutoyo Digimatic (sequential output)	
Analog Output	Approx. 1.5 V max		Approx. 1.0 V max	
Rechargeable Battery	No zero offset ; identical waveforms produced in PP, PD, and TR modes Nickel-cadmium battery			
Charger Type	DLE1833	DLE1873	DLE1833	DLE1873
Input Voltage for Charger	100 V AC, 50/60 Hz	230 V AC, 50/60 Hz	100 V AC, 50/60 Hz	230 V AC, 50/60 Hz
Charging Time	8 hours			
Continuous Operation Time	15 hours			
External Dimensions (mm)	W160 x D110 x H47			
Mass (kg)	1.0			

Standard Accessories

	DLT1133	DLT1173	DLT1633/DLT1673	
Joint/Bit	Bit Joint	Bit Joint	Bit Joint	Spring for Joint
Model	DLW4340	DLW4430	DLW4360	DLW4660
Measuring (N·m)	0.015 - 1.5	0.15 - 1.5	0.15 - 6.5	0.15 - 1.5

Optional Accessories

Model	Part No.	Model	Specifications	DLT1133	DLT1173	DLT1633/DLT1673
Bit Joint	TD03305	DLW4330	OD 4 mm type, Torque Range : 0.015 to 0.25 N·m	○	○	—
	TD03306	DLW4340	OD 4 mm type, Torque Range : 0.15 to 1.5 N·m	◎	○	○
	TD03307	DLW4350	Hex 5 and Hex 6.35 types, Torque Range : 0.15 to 1.5 N·m	○	○	○
	TD03308	DLW4360	Hex 5 and Hex 6.35 types, Torque Range : 0.15 to 6.5 N·m	—	—	◎
Screw Joint	TD03309	DLW4430	#1 screw type, Torque Range : 0.15 to 1.5 N·m	○	◎	○
	TD03310	DLW4530*	#2 screw type, Torque Range : 0.15 to 5 N·m	—	—	○

◎ : Standard accessories ○ : Available as option — : Unsupported

* DLW4530 must be used at 5 N·m or less.

Bit Joint



Screw Joint



Spring



Selection of Torque Checker

DLT1133 / DLT1173 (for miniature screw)	DLT1633 / DLT1673
DLV3300 series*1 / DLV5700 series / DLV5800 series / DLV7300 series / DLV7800 series / DLV7000 series / DLV8000 series / DLV7400A series	DLV7100 series / DLV8100 series / DLV7200 series / DLV8200 series / DLV7500 series / DLV8500 series / DLV3100 series*2 / DLV30 series

*1 A reversible screwdriver is required to loosen the measuring joint.

*2 A reversible screwdriver is required to loosen the measuring joint. Screw type joint is required.

Accessories

Tool Balancer



Easy to adjust tension by using handle.

Model	TW-1R	RW-3	RW-5
Capacity (kg)	0.5 - 1.5	1.0 - 3.0	2.5 - 5.0
Stroke (m)	1.5	2	
Mass (kg)	0.3	0.7	0.9

Vacuum Pump DLP2500 series



Electric Screwdrivers can be used with Vacuum Pump and Vacuum Pickup. The sleeve of Vacuum Pickup sucks the screw and holds it on the bit, enabling the operator to pick it up with the tool itself, thus improving operational efficiency and operator's productivity.

Model	DLP2530	DLP2570
Voltage	100 V AC, 50/60 Hz	230 V AC, 50/60 Hz
Power Consumption (W)	30(50 Hz), 26(60 Hz)	
Achievable Vacuum (kPa)	-33.3	
Flow Rate (at Outlet) (l/min)	24	
Screw Size (mm)	4 or less	
Mass (kg)	3.8	

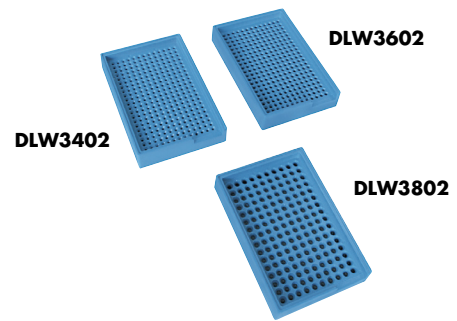
Pistol Grip DLW2300/2300ESD

(for DLV7100, 7200, 8100, 8200, 7500, 7600, 8500, 8600, and 30 series Electric Screwdrivers)



Easy-to-attach grip suitable for horizontal operation.

Shaker Box Made of Anti-electrostatic Resin (for 2,3 and 4 mm Screws)



The screws will fall into the heads-up position for easier vacuum or magnetic pickup. The anti-electrostatic resin greatly reduces static build-up and dust attached to the shaker box.

Model	DLW3402	DLW3602	DLW3802
Part No.	TD04110	TD04111	TD04112
Hole Pitch (mm)	6	6	8
Hole Depth (mm)	13.5	13.5	12.5
No. of Holes	273	273	160
Screw Size (mm)	1.7 - 2	2 - 2.6	3 - 4

Torque Adjustment Ring Cover



Fits over torque adjustment cover to minimize tampering or accidental turning once the torque is set.

Part No.	Model	Applicable Screwdriver
TD00331	DLW5200	7100, 7200, 8100 and 8200 series
TV05143	DLW5201*	7100, 7200, 8100, 8200, and 30 (brushless) series
TD00332	DLW5300	7301, 7000, 8000 series (for 4 mm bit)
TD01883	DLW5400	7300 series (for 6.35 mm bit)
TD00333	DLW5500	7303 series (for 4 mm & 6.35 mm bit)
TD00334	DLW5600	7500, 8500 series
TD02875	DLW5700	5700, 5800, 7400A, series

*As this is a clear plastic cover, torque scale can be seen even after mounted on the screwdriver.

Flanged Coupling DLW9011

(for DLV7100, 7200, 8100, and 8200 series Electric Screwdrivers)



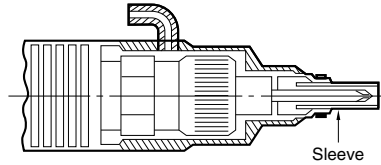
Provides a flange which enables the operator to apply axial pressure through the heel of the hand.

Sleeves and Vacuum Pickups

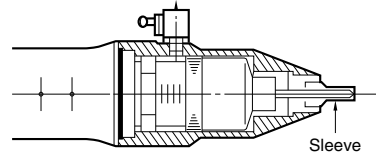
■ For DLV7400A/7800/7300/7000/8000 series

Vacuum Pickup

DLP6500 (for DLV7000 and 8000 Series Electric Screwdrivers)



- DLP5100 (for DLV7800 Electric Screwdrivers)
- DLP5300 (for DLV7400A/5800 Electric Screwdrivers)
- DLP7100 (for DLV7313 Electric Screwdriver)
- DLP7200 (designed for OD 4 mm Shank Bit for DLV7323/7333 Electric Screwdrivers)
- DLP7300 (designed for OD 6.35 mm Hex. Shank Bit for DLV7323/7333 Electric Screwdrivers)



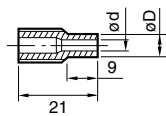
Standard Set

Vacuum Pickup (Part No.)	DLP5100 (TD00342)	DLP5300 (TD04342)	DLP6500 (TD00343)	DLP7100 (TD00345)	DLP7200 (TD00346)
Accessories	DLS2124 x 1 pc. DLS2127 x 1 pc.	DLS2120 x 1 pc. DLS2124 x 1 pc.	DLS2124 x 1 pc. DLS2127 x 1 pc. DLS2130 x 1 pc.	DLS2122 x 1 pc. DLS2124 x 1 pc. DLS2127 x 1 pc.	DLS2123 x 1 pc. DLS2124 x 1 pc. DLS2127 x 1 pc.

Unit: mm

Sleeve DLS2000 series (Plastic)

(for DLP5100/5300/6500/7100/7200 Vacuum Pickups and DLV7325/7335 Electric Screwdrivers)

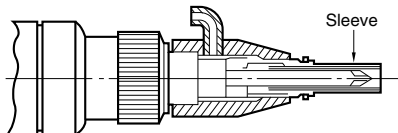


Sleeve				Bit	
Part No.	Model	ød	øD	Phillips Head [⊕] (No. x d x L)	
TD00348	DLS2120	2	3.5	No.0 x 1.8 x 44	
TD00349	DLS2121	2.2			
TD00350	DLS2122	2.5			
TD00351	DLS2123	2.7			
TD00352	DLS2124	3.1	4.5	No.0 x 2.5 x 44	
TD00353	DLS2125	3.3			
TD00354	DLS2126	3.5			
TD00355	DLS2127	3.7			
TD00356	DLS2128	4	5.5	No.1 x 3 x 44	
TD00357	DLS2129	4.2			
TD00358	DLS2130	4.5			
TD00359	DLS2131	4.7			
TD00360	DLS2132	5.1	6.5	No.1 x 4 x 44	
TD00361	DLS2133	5.3			
TD00362	DLS2134	5.6			
TD00363	DLS2135	6.1			
			7	No.2 x 4 x 44	

■ For DLV7100/7200/8100/8200-□J□ series

Vacuum Pickup

DLP7000 (for DLV7100/7200/8100/8200 Series Electric Screwdrivers)

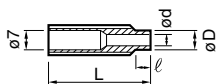


Standard Set

Vacuum Pickup (Part No.)	DLP7000 (TD00344)
Accessories	DLS3223 x 1 pc. DLS3225 x 1 pc.

Unit: mm

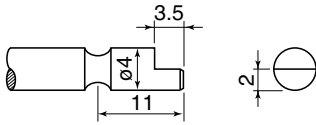
Sleeve DLS3000 series (Metal)



Sleeve						Bit	
Part No.	Model	ød	øD	ℓ	L	Phillips Head [⊕] (No. x d x L)	
TD00364	DLS3222	5.6	7	5	34	No.1 x 5 x 70	
TD05024	DLS3223	6.1	9			No.2 x 6 x 70	
TD00365	DLS3224	6.4	9				
TD00366	DLS3225	7.1	9		65	No.1 x 4 x 100	
TD00367	DLS3226	4.6	7			No.1 x 5 x 100	
TD00368	DLS3227	5.1	7			No.2 x 5 x 100	
TD00369	DLS3228	5.6	7				
TD00370	DLS3229	6.1	9				
TD00371	DLS3230	6.4	9				
TD00372	DLS3231	7.1	9		No.2 x 6 x 100		

NK BIT

■ For DLV7400/7800/7300/
7000/8000/3300 series

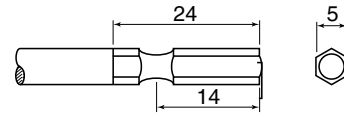


OD 4 mm Shank

Unit: mm

Model	Size			Part No.	Dimensions
	No.	d	L		
Cross Point NK4D	0	2	44	TD20009	
			64	TD20010	
		1.8	44	TD20021	
			64	TD20022	
		2.5	44	TD20029	
			64	TD20030	
	1	3	44	TD20037	
			64	TD20038	
		4	44	TD20039	
			64	TD20040	
		4	44	TD20047	
			64	TD20048	
3	6	44	TD20050		
Model	W × T × L			Part No.	Dimensions
Plain Slot NK4DM	2	0.3		TD20051	
	2.5	0.3		TD20052	
	3	0.4	44	TD20053	
	4	0.5		TD20054	
	5	0.65		TD20055	
Model	H × L			Part No.	Dimensions
Hexagon Head NK4DX	1.5			TD20056	
	2			TD20057	
	2.5		44	TD20058	
	3			TD20059	
4			TD20060		
Model	H × d × L			Part No.	Dimensions
Hex Socket NK4DB	4	6		TD20064	
	4.5	7	44	TD20065	
	5	7		TD20066	
	5.5	8		TD20067	

■ For DLV7100/7200/8100/8200/3100 series

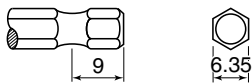


OD 5 mm Hex. Shank

Unit: mm

Model	Size			Part No.	Dimensions			
	No.	d	L					
Cross Point NK31	1	4	70	TD20193				
			100	TD20194				
		5	70	TD20196				
			100	TD20197				
		6	70	TD20200				
			100	TD20201				
	2	5	70	TD20210				
			100	TD20211				
		6	70	TD20214				
			100	TD20215				
		Model	No. × L			Part No.	Dimensions	
		Cross Point NK16	1	70		TD20224		
100	TD20225							
2	70		TD20232					
	100		TD20233					
150	TD20235							
Model	H × d × L			Part No.	Dimensions			
Hexagon Head NK31X	2	4	70	TD20254				
			70	TD20256				
	2.5	70	TD20258					
			TD20260					
			TD20262					
	3	70	TD20256					
			TD20258					
	4	70	TD20256					
			TD20258					
	5	70	TD20256					
TD20258								
Model	H × D × d × L			Part No.	Dimensions			
Hex Socket NK31B	5.5	9	4	70	TD20272			
			4.5	70	TD20274			
	7	11	5.5	70	TD20276			
			100	TD20277				
	8	13	6	70	TD20278			
			100	TD20279				
	10	16	8	70	TD20282			
			100	TD20283				

■ For DLV7200/8100/8200 series

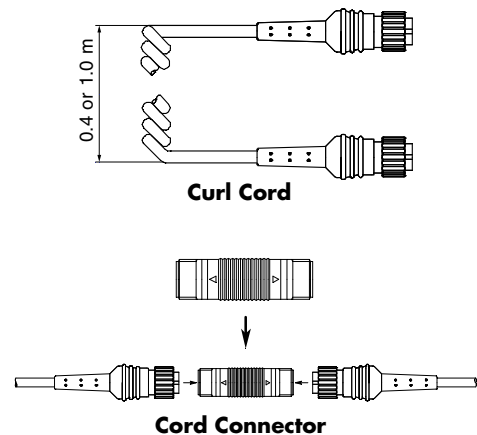


OD 6.35 mm Hex. Shank

Unit: mm

Model	Size			Part No.	Dimensions	
	No.	d	L			
Cross Point NK35	1	7	50	TD20308		
			75	TD20309		
			50	TD20319		
	2	7	75	TD20320		
			50	TD20327		
			75	TD20328		
Model	No. × L			Part No.	Dimensions	
Cross Point NK15	2	75	TD20363			
			100		TD20364	
			150		TD20366	
	3	100	75		TD20371	
			100		TD20372	
			150		TD20374	
Model	H × L			Part No.	Dimensions	
Hexagon Head NK35X	5	50	TD20400			
			TD20404			
Model	H × D × d × L			Part No.	Dimensions	
Hex Socket NK35BN	10	16	8	75	TD20442	
			100	TD20443		
	13	19	10	75	TD20457	
			100	TD20458		

Optional Cord




Please inquire of the distributor for the price and minimum quantity on each optional cord.


Part No.	Optional Cord	Applied Models	Length(m)
TD02826	5P to 6P Exchange Cord *1	DLV7300	0.1
TD02416	Extension Cord For 5P		2.0
TD02486	Extension Cord For 6P		2.0
TD01882	Curl Cord	DLV7500/8500	0.4
TD02820	Curl Cord		1.0
TD02438	Cord Connector DLW9100		

*1: "5P to 6P Exchange Cord" can connect "5-prong Screwdriver" to "6-prong Controller".

SAFETY GUIDE

Be sure to read and understand the following safety notations and all safety precautions.

 **WARNING:** Indicates a potentially hazardous situation which, if not avoided by following the instructions given, could result in death or serious injury.

 **CAUTION:** Indicates a potentially hazardous situation which, if not avoided by following the instructions given, could result in injury or material damage.

Safety Precautions

- Be sure to follow the safety precautions to keep accidents such as fires, electroshock, and injuries from occurring.
- Before using your tool, please read this manual carefully so that you may use it properly to get the most out of it.
- Keep the manual handy – so you can use it whenever necessary.

WARNING

- Keep work area clean. Cluttered work areas and benches invite accidents and injuries.
- Consider proper working environments for each tool carefully. Do not expose electric tools to extreme amounts of moisture or direct contact with water or rain. Keep area well lit at all times to prevent hidden dangers and never operate the equipment near flammable liquids or in gaseous or explosive atmospheres.
- Prevent operators from electric shock. When using electric tools, prevent body contact with grounded surfaces (e.g. pipes and outer frames of radiators, microwave ovens, and refrigerators, etc.).
- Keep all electric tools and power cords away from children and all unauthorized personnel. Also all visitors should be kept away from work area.
- Properly store tools and accessories while not in use. They should be kept in a dry, locked-up location out of reach of children or unauthorized personnel.
- Do not force tool. It will do the job better and more safely at the rate for which it was intended.
- Use the right electric power tool that can complete the job within its specifications. Do not attempt to adapt improper attachments or accessories to complete a job. Do not use the tool for other than what they were designed for.
- Dress properly. Do not wear loose clothing and/or accessories. (gloves, necklace etc.) They can be caught in moving parts. Non-skid footwear is recommended in outdoor operation. Wear protecting hair covering to contain long hair.
- Always wear safety glasses during operation. Wear respiratory protection when working in an environment where dust particles are generated during operation.
- Do not abuse cord. Never carry tool by cord or yank it to disconnect from receptacle. Keep cord from heat, oil, and sharp edges.
- Use clamps or a vise to secure the work piece tightly and eliminate vibration. Never hold the work piece with your hands, keep both hands on the electric tool for increased productivity.
- Do not overreach. Keep proper footing and balance at all times.
- Maintain tools with care. For safe and efficient work, use the proper bit and check it regularly. Do not use the bit with a worn out or deformed tip. When oiling and replacing parts, follow the instructions given by the instruction manual. Inspect tool cords periodically and if damaged, have them replaced by an authorized service facility. Keep handles dry, clean, and free from oil and grease.
- Disconnect a tool or a controller when not in use, when repairing, or when changing accessories and bits, etc.
- Remove adjusting keys and wrenches. Form habit of checking to see that keys and adjusting wrenches are removed from tools before turning it on.
- Always avoid an unexpected start by having all power switches in the off position prior to attaching to a power supply. Never carry tools with your finger on the on/off switch when the power is attached. Never plug the cord into a receptacle while your finger is on the on/off switch.
- When the tool is used outdoors, use an electric extension cord or cable suitable for outdoor use.
- Stay alert. Watch what you are doing. When using electric tools, take good care of tool handling, working manner, and surrounding conditions. Use common sense. Do not operate tool when you are tired.
- Check damaged parts. Before further use of the tool, an accessory or other part that is damaged should be carefully checked to determine that it will operate properly and perform its intended functions. Check for alignment of moving parts, binding of moving parts, breakage of parts, mounting, and any other conditions that may affect its operation. When repairing or replacing parts, follow the directions of the instruction manual. The part that is damaged should be properly repaired or replaced by an authorized service facility unless otherwise indicated elsewhere in this operation manual. Have defective switches replaced by an authorized service facility. Do not use the tool if the switch cannot be turned on and off.
- Use only recommended accessories and attachments as per tool operator manual and “delvo” general catalog. Use of improper accessories and attachments may result in an accident or serious injury.
- Any repairs on the tool should be performed only by an authorized service facility. Do not modify the tool that is complying with the safety standard. If the repairman who has poor knowledge and skill repairs the tool, the tool may not give a good performance and result in an increased risk of injury to the user.
- The power source must be limited to the individual tools specifications as stated on the nameplate or instruction manual. If used at a higher or lower voltage than indicated, it may cause failure and result in an increased risk of injury to the user.
- Before work operation carefully check if there are underground installations such as conduit, water pipe, and gas pipe, etc. If a tool should touch them, it might cause electric shock, electric leak, or gas leak.
- Hold the tool body firmly so as not to be swung by it when using. If not, this may cause injury.
- Do not bring hand or face close to moving parts such as bit etc. when using. This may cause injury.
- When you have dropped the tool by mistake, carefully check the tool if there is breakage, cracks or deformation. This may cause injury.

CAUTION

- Install bits or accessories securely in accordance with the operation manual. Insufficient installation may cause injury.
- Whenever setting the torque, unplug the cable of the tools. Adjusting the torque setting during rotation may cause injury.
- When operating a tool at high places, check that there is no person under the places. Do not stumble over the cord nor drop the material or tool body. This may cause injury.
- Never leave a tool running unattended on the working bench or floor. Always turn the power switch or lever to the off position and disconnect from the power source when not in use.
- Do not overload to the extent that the motor locks or the clutch malfunctions. This may cause smoke, fire, failure or injury.
- If the tool is overheating or functioning abnormally, stop using the screwdriver immediately and inspect it to see whether any repairs are necessary. Otherwise this may cause failure or injury.
- The electric screwdriver may overheat depending on the type of screw, type of screw-tightened material, or frequency of use. To avoid overheating, stop operating the screwdriver for a time or use several drivers in alternation. Overheating may reduce the life of the product or cause failure or injury.
- The fastening torque may vary depending on how the product is operated or held, the type of screw, and the fastening conditions. Use a torque wrench or similar tool to check that the fastening torque is appropriate.



delvo

★ Specifications and designs are subject to change at any time without notice.



NITTO
NITTO KOHKI CO.,LTD.

Head Office
9-4, Nakaikagami 2-chome,
Ohta-ku, Tokyo 146-8555 Japan
Phone : +81-3-3755-1111 Fax : +81-3-3753-8791

- ▶ E-mail : overseas@nitto-kohki.co.jp
- ▶ URL : www.nitto-kohki.co.jp/e



● For environmental conservation, this print is made of the pulp blended with waste paper and printed with soy-based inks.