

Milwaukee[®]

PACKOUT[™]

MOST VERSATILE
DURABLE
MODULAR STORAGE SYSTEM

SITE



TRANSIT



SHOP



**BUILD
YOUR SYSTEM**



MOST VERSATILE DURABLE MODULAR STORAGE SYSTEM

The MILWAUKEE® PACKOUT™ modular storage system revolutionises tool transportation, organisation and storage. Designed to provide users with the ability to interchange and interlock a wide assortment of heavy-duty tool boxes, organisers and soft storage in multiple different configurations.



SITE

TRANSIT

SHOP



SCAN TO WATCH THE MILWAUKEE® PACKOUT™ MODULAR STORAGE SYSTEM IN ACTION

WHAT MAKES PACKOUT™ UNIQUE?

- **OVER 70 DIFFERENT SOLUTIONS** BOXES, ORGANISERS, SOFT STORAGE, SYSTEM ATTACHMENTS AND POWERTOOLS.
- WITHSTANDS EVEN THE **TOUGHEST JOBSITE CONDITIONS**
- METAL LATCHES AND **CORNER REINFORCEMENTS**

OFFERING OVER **100** POSSIBLE COMBINATIONS



VIRTUALLY BUILD YOUR SYSTEM



SCAN HERE TO BUILD NOW

PACKOUT™ SYSTEM STARTERS

THE DIFFERENT WAYS TO START YOUR SYSTEM

PACKOUT™ 3 PIECE SET

- 1 x PACKOUT™ Box
- 1 x PACKOUT™ Large Box
- 1 x PACKOUT™ Trolley Box



DESCRIPTION	ART.#	PRICE (excl VAT)	PRICE (incl VAT)	WEIGHT CAPACITY
PACKOUT™ 3 Piece Set	4932464244	£000.00	€ 000,00	

PACKOUT™ TRANSPORTATION SET

- 1 x PACKOUT™ Customisable Work Surface
- 1 x PACKOUT™ 3 Drawer
- 1 x PACKOUT™ 2 Drawer
- 1 x PACKOUT™ Flat Trolley



DESCRIPTION	ART.#	PRICE (excl VAT)	PRICE (incl VAT)	WEIGHT CAPACITY
PACKOUT™ Transportation Set	4932492892	£000.00	€ 000,00	

TROLLEY BOX

- 9" ALL-TERRAIN WHEELS
- IMPACT RESISTANT BODY
- 113KG CAPACITY



Modular connectivity with all PACKOUT™ components

Metal reinforced locking point

Impact resistant polymer body for jobsite durability

IP65 rated protection against jobsite debris and rain



Industrial-grade extension handle

113kg weight capacity

9"/23cm all-terrain wheels

Metal reinforced corners

DESCRIPTION	ART.#	PRICE (excl VAT)	PRICE (incl VAT)	WEIGHT CAPACITY
PACKOUT™ Trolley Box	4932464078	£000.00	€ 000,00	113KG

INCLUDES INTERIOR STORAGE TRAY



2-WHEEL CART

- STACK OR HANG
- 180KG CAPACITY
- 10" FLAT-FREE WHEELS



Compact width for easy access

Constructed with impact resistant polymers for jobsite durability

Modular connectivity with all PACKOUT™ components

Folding base plate for easy storage and support



180kg weight capacity

2 integrated PACKOUT™ mounting locations for additional storage options

Long tool storage

Integrated holder for longer tools, such as levels

10"/25cm in-board wheels to easily roll cart through doorways.

DESCRIPTION	ART.#	PRICE (excl VAT)	PRICE (incl VAT)	WEIGHT CAPACITY
PACKOUT™ 2-Wheel Cart	4932472131	£000.00	€ 000,00	180KG

ROLLING TOOL CHEST

- DUAL STACK TOP
- 113KG CAPACITY
- 9" ALL-TERRAIN WHEELS



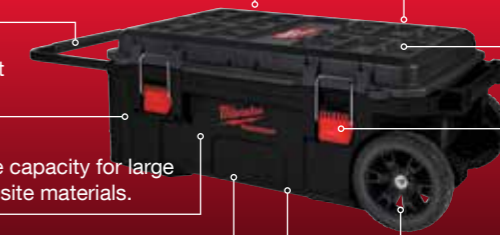
Dual Stack Top allows to transport 2 PACKOUT™ stacks onto the jobsite

Industrial-grade handle

113kg weight capacity

Extra storage capacity for large tools and jobsite materials.

Impact resistant body for jobsite durability



Modular connectivity with all PACKOUT™ components

Locking lid support

Metal reinforced locking points

9"/23cm all-terrain wheels for rough jobsite terrain

Water and debris protection

DESCRIPTION	ART.#	PRICE (excl VAT)	PRICE (incl VAT)	WEIGHT CAPACITY
PACKOUT™ Rolling Tool Chest	4932478161	£000.00	€ 000,00	113KG

INCLUDES INTERIOR STORAGE TRAY



FLAT TROLLEY

- SMOOTH ROLL WHEELS
- 113KG CAPACITY
- QUICKSTOP LOADING LEVER



113kg weight capacity

Quickstop locking lever

Smooth roll wheels



Modular connectivity with all PACKOUT™ components

Impact resistant polymer construction

Durable locking casters to easily roll with heavy load on a jobsite.

DESCRIPTION	ART.#	PRICE (excl VAT)	PRICE (incl VAT)	WEIGHT CAPACITY
PACKOUT™ Flat Trolley	4932471068	£000.00	€ 000,00	113KG

PACKOUT™ BOXES

A WIDE RANGE OF HEAVY-DUTY BOXES TO STORE YOUR TOOLS

LARGE BOX



Modular connectivity with all PACKOUT™ components

Metal reinforced corners and locking points

IP65 rated protection against rain and jobsite debris



Metal top handle

45kg weight capacity

Impact resistant polymer body

INCLUDES INTERIOR STORAGE TRAY



DESCRIPTION	ART.#	PRICE (excl VAT)	PRICE (incl VAT)	WEIGHT CAPACITY
PACKOUT™ Large Box	4932464079	£000.00	€ 000,00	45KG

BOX



IP65 rated protection against rain and jobsite debris

Metal reinforced locking point

Modular connectivity with all PACKOUT™ components



35kg weight capacity

Impact resistant polymer body

INCLUDES INTERNAL ORGANISATION TRAYS



DESCRIPTION	ART.#	PRICE (excl VAT)	PRICE (incl VAT)	WEIGHT CAPACITY
PACKOUT™ Box	4932464080	£000.00	€ 000,00	45KG

XL TOOL BOX



Modular connectivity with all PACKOUT™ components

Metal reinforced corners and locking points

Impact resistant polymer body for jobsite durability



45kg weight capacity

Extra storage capacity for large power tools

IP65 rated protection against rain and jobsite debris

INCLUDES INTERIOR STORAGE TRAY



DESCRIPTION	ART.#	PRICE (excl VAT)	PRICE (incl VAT)	WEIGHT CAPACITY
PACKOUT XL Toolbox	4932478162	£000.00	€ 000,00	45KG

COMPACT TOOL BOX



Modular connectivity with all PACKOUT™ components

Quick adjust dividers allow users to store and organize larger equipment and accessories

Includes interior organiser trays



Metal reinforced top handle for easier carrying

35kg weight capacity

Interior storage tray

Impact resistant body for jobsite durability

IP65 rated protection against rain and jobsite debris

DESCRIPTION	ART.#	PRICE (excl VAT)	PRICE (incl VAT)	WEIGHT CAPACITY
PACKOUT™ Compact Tool Box	4932471723	£000.00	€ 000,00	34KG

CRATE



Other PACKOUT™ products can be stacked on top of the crate

Stack or hang

- Rear hanging points for vertical use
- Top attachment points for stacking



22kg weight capacity

Impact resistant body

Modular connectivity with all PACKOUT™ components

DESCRIPTION	ART.#	PRICE (excl VAT)	PRICE (incl VAT)	WEIGHT CAPACITY
PACKOUT™ Crate	4932471724	£000.00	€ 000,00	22KG

CABINET


STACK OR HANG

QUICK ACCESS DOOR

IMPACT RESISTANT BODY


22kg weight capacity

Quick access door allows for easy access to your tools and equipment, even when placed at the bottom of the PACKOUT™ stack



Secure hang or stack

- Modularity on top, bottom, and back of the tool box

Impact resistant body for jobsite durability

DESCRIPTION	ART.#	PRICE (excl VAT)	PRICE (incl VAT)	WEIGHT CAPACITY
PACKOUT™ Cabinet	4932480623	£000.00	€ 000,00	22KG

3 DRAWER


LOCKING SECURITY BAR

33kg CAPACITY

IMPACT RESISTANT BODY


Impact resistant polymer body for jobsite durability

Metal reinforced frame

Includes one set of quick-adjust dividers to fully customise drawers

Drawers allow for easy access to your tools, even when placed at the bottom of the PACKOUT™ stack

Locking security bar

- Metal bar secures all drawers



33kg weight capacity

Modular connectivity with all PACKOUT™ components

Steel ball bearing slides support up to 11kg weight capacity per drawer

INCLUDES DRAWER DIVIDERS FOR PACKOUT™ 3-DRAWER TOOL BOX

DESCRIPTION	ART.#	PRICE (excl VAT)	PRICE (incl VAT)	WEIGHT CAPACITY
PACKOUT™ 3 Drawer Tool Box	4932472130	£000.00	€ 000,00	22KG

2 DRAWER


LOCKING SECURITY BAR

22kg CAPACITY

IMPACT RESISTANT BODY


Metal reinforced corners

Includes one set of quick-adjust dividers to fully customise drawers

Modular connectivity with all PACKOUT™ components



Drawers allow for easy access to your tools, even when placed at the bottom of the PACKOUT™ stack

Steel ball bearing slides support up to 11kg weight capacity per drawer

Impact resistant polymer body for jobsite durability

INCLUDES DRAWER DIVIDERS FOR PACKOUT™ 2-DRAWER TOOL BOX

DESCRIPTION	ART.#	PRICE (excl VAT)	PRICE (incl VAT)	WEIGHT CAPACITY
PACKOUT™ 2 Drawer Tool Box	4932472129	£000.00	€ 000,00	22KG

PACKOUT™ COOLERS

THE PERFECT STORAGE SOLUTIONS TO STORE AND COOL DRINKS AND SNACKS ON THE JOBSITE

HARD COOLER


IMPACT RESISTANT BODY

IP65 RATED PROTECTION

HOLDS ICE FOR 30 HRS


Integrated bottle opener

IP65 Food Grade Leak-Proof Liner prevents leakages and protects contents from debris and dust

Removable tray for separate storage



15L capacity

Double premium insulation keeps contents cold for up to 30 hours

Impact resistant polymer construction

DESCRIPTION	ART.#	PRICE (excl VAT)	PRICE (incl VAT)	WEIGHT CAPACITY
PACKOUT™ Hard Cooler	4932471722	£000.00	€ 000,00	/

XL COOLER


HOLDS ICE FOR 5 DAYS

IP65 RATED PROTECTION

IMPACT RESISTANT BODY


Includes Divider/Cutting Board that helps organise contents and can be used as a cutting board

Modular connectivity with all PACKOUT™ components

Removable tray to separate storage

38L capacity

Drain plug



IP65 Food Grade Leak-Proof Liner prevents leakages and protects contents from debris and dust

Impact resistant polymer construction

Double premium insulation keeps contents cold for up to 5 days

Integrated bottle opener

DESCRIPTION	ART.#	PRICE (excl VAT)	PRICE (incl VAT)	WEIGHT CAPACITY
PACKOUT™ XL Cooler	4932478648	£000.00	€ 000,00	/

INCLUDES DIVIDER / CUTTING BOARD

PACKOUT™ ORGANISERS

A WIDE RANGE OF HEAVY-DUTY ORGANISERS
FOR ULTIMATE PRODUCTIVITY

ORGANISER



Constructed with impact resistant polymers for jobsite durability

Includes 10 removable & mountable bins

IP65 rated weather seal to keep out rain and jobsite debris

Modular connectivity with all PACKOUT™ components

No-travel bins seals to prevent the bins contents from migrating between bins during transport



DESCRIPTION	ART.#	PRICE (excl VAT)	PRICE (incl VAT)	COMPARTMENTS
PACKOUT™ Organiser	4932464082	£000.00	€ 000,00	8

DEEP ORGANISER



IP65 rated protection

22KG weight capacity

Metal reinforced locking point

Metal reinforced corners

Includes quick adjust dividers

50% higher than the standard PACKOUT™ organiser - ideal to store tools, batteries, chargers and larger equipment

Modular connectivity with all PACKOUT™ components

Impact resistant polymer body for jobsite durability



DESCRIPTION	ART.#	PRICE (excl VAT)	PRICE (incl VAT)	COMPARTMENTS
PACKOUT™ Deep Organiser	4932478625	£000.00	€ 000,00	8

SLIM ORGANISER



No-travel bins seals prevent the bins contents from migrating between bins during transport

Includes 2 large bins and 8 small bins. All bins contain dividers

IP65 rated weather seal to keep out rain and jobsite debris

Impact resistant body for jobsite durability

Modular connectivity with all PACKOUT™ components

Low-profile design



DESCRIPTION	ART.#	PRICE (excl VAT)	PRICE (incl VAT)	COMPARTMENTS
PACKOUT™ Slim Organiser	4932471064	£000.00	€ 000,00	11

INCLUDES REMOVABLE BINS



COMPACT SLIM ORGANISER



Includes 1 large bin and 4 small bins. All bins contain dividers

IP65 rated weather seal to keep out rain and jobsite debris

Constructed with impact resistant polymers for jobsite durability

No-travel bins seals prevent the bins contents from migrating between bins during transport

Modular connectivity with all PACKOUT™ components

Low-profile design



DESCRIPTION	ART.#	PRICE (excl VAT)	PRICE (incl VAT)	COMPARTMENTS
PACKOUT™ Impact Slim Organiser	4932471065	£000.00	€ 000,00	5

INCLUDES REMOVABLE BINS



COMPACT ORGANISER



No-travel bins seals to prevent the bins contents from migrating between bins during transport

Includes 5 removable & mountable bins

Modular connectivity with all PACKOUT™ components

Impact resistant body for jobsite durability

IP65 rated weather seal to keep out rain and jobsite debris



DESCRIPTION	ART.#	PRICE (excl VAT)	PRICE (incl VAT)	COMPARTMENTS
PACKOUT™ Compact Organiser	4932464083	£000.00	€ 000,00	5

INCLUDES REMOVABLE BINS



PACKOUT™ SOFT STORAGE

MARKET'S FIRST MODULAR STORAGE SYSTEM COMPATIBLE WITH SOFT STORAGE

50CM TOTE TOOLBAG



ALSO AVAILABLE



40CM 25CM

DESCRIPTION	ART.#	PRICE (excl VAT)	PRICE (incl VAT)	TOTAL POCKETS
50cm PACKOUT™ Tote Toolbag	4932464086	£000.00	€ 000,00	32
40cm PACKOUT™ Tote Toolbag	4932464085	£000.00	€ 000,00	15
25cm PACKOUT™ Tote Toolbag	4932464084	£000.00	€ 000,00	28

Padded removable shoulder strap

Tear-resistant 1680D ballistic material

Modular connectivity with all PACKOUT™ components



Durable overmold handle

All-Metal Hardware

Impact resistant polymer base

50CM DUFFEL BAG



Spacious storage capacity for larger tools

Tear-resistant 1680D ballistic material

ALSO AVAILABLE



38CM

DESCRIPTION	ART.#	PRICE (excl VAT)	PRICE (incl VAT)	TOTAL POCKETS
50cm PACKOUT™ Duffel Bag	4932471067	£000.00	€ 000,00	3
38cm PACKOUT™ Duffel Bag	4932471066	£000.00	€ 000,00	8

Cushioned shoulder strap, top and side handles for flexible carry

All-metal hardware

Modular connectivity with all PACKOUT™ components

Impact resistant polymer base



BACKPACK



Tear-resistant 1680D ballistic material

Hardshell protected electronic & equipment pocket

Modular connectivity with all PACKOUT™ components



Extra back padding, chest strap, attachment strap for rolling bags and heavy duty harness for ultimate jobsite comfort

48 total pockets including a hard-shell protected instrument pocket

Tape measure clip

Impact resistant polymer base protects contents from jobsite debris and also allows backpack to stand up

DESCRIPTION	ART.#	PRICE (excl VAT)	PRICE (incl VAT)	TOTAL POCKETS
PACKOUT™ Backpack	4932471131	£000.00	€ 000,00	48

TECH BAG



Padded shoulder strap

Made from 1680D ballistic material for jobsite durability

Modular connectivity with all PACKOUT™ components



All-metal hardware

58 total pockets. Hardshell protected instrument pocket

Secure and protected storage for laptops and tablets

Impact resistant polymer base protects contents from water, dirt and tea

DESCRIPTION	ART.#	PRICE (excl VAT)	PRICE (incl VAT)	COMPARTMENTS
PACKOUT™ Tech Bag	4932471130	£000.00	€ 000,00	5

COOLER



Tape measure clip with bottle opener

Tear-resistant ballistic material

Modular connectivity with all PACKOUT™ components



Food-grade leak proof liner

All-metal hardware

Extra insulation keeps contents cold for 24 hours

Impact resistant polymer base protects contents from jobsite debris

DESCRIPTION	ART.#	PRICE (excl VAT)	PRICE (incl VAT)	TOTAL POCKETS
PACKOUT™ Jobsite Cooler	4932471132	£000.00	€ 000,00	9

PACKOUT™ SYSTEM ATTACHMENTS

FULLY CUSTOMISE YOUR STORAGE

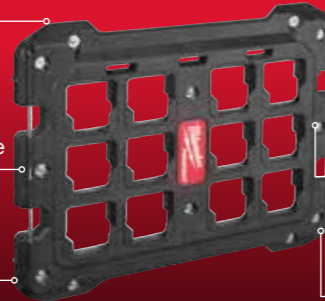
MOUNTING PLATE



22kg wall mounted weight capacity

Turn the PACKOUT™ into a stationary storage

45kg floor mounted weight capacity



Modular connectivity with all PACKOUT™ components

Metal reinforced tie-down points and mounting holes

Impact resistant polymer construction

DESCRIPTION	ART.#	PRICE (excl VAT)	PRICE (incl VAT)	WALL MOUNTED WEIGHT CAPACITY
PACKOUT™ Mounting Plate	4932471638	£000.00	€ 000,00	22KG

XL MOUNTING PLATE



34kg in-vehicle weight capacity

68kg wall mounted capacity

Modular connectivity with all PACKOUT™ components



Quick alignment tabs

Impact resistant polymer construction

Metal reinforced mounting points

DESCRIPTION	ART.#	PRICE (excl VAT)	PRICE (incl VAT)	WALL MOUNTED WEIGHT CAPACITY	IN-VEHICLE WEIGHT CAPACITY
PACKOUT™ XL Mounting Plate	4932480622	£000.00	€ 000,00	68KG	34KG
PACKOUT™ Compact Mounting Plate	4932480621	£000.00	€ 000,00	23KG	11KG

CUSTOMISABLE WORK SURFACE



Fastener-ready surface allows for easy mounting of common jobsite materials and larger tools on top of a PACKOUT™ stack

22kg weight capacity

Modular connectivity with all PACKOUT™ components



Marine grade plywood top provides smooth surface for light assembly work, writing, sketching or working on a laptop

Constructed with impact resistant polymers for jobsite durability

DESCRIPTION	ART.#	PRICE (excl VAT)	PRICE (incl VAT)	WEIGHT CAPACITY
PACKOUT™ Customisable Work Surface	4932472128	£000.00	€ 000,00	22KG



RACKING SHELVES



Impact resistant body

Each shelf supports up to 22 kg of weight

Modular connectivity with all PACKOUT™ components



E-Track mounting rails can be mounted on the wall in vehicles, shops or garages for ultimate versatility

Metal reinforced frame

Quick release design for easy mounting, height adjustment and removal of the shelves

DESCRIPTION	ART.#	PRICE (excl VAT)	PRICE (incl VAT)	WEIGHT CAPACITY
PACKOUT™ Racking System	4932472127	£000.00	€ 000,00	22KG
PACKOUT™ Racking System (Single Shelf)	4932478711	£000.00	€ 000,00	22KG
Vertical E-Track for PACKOUT™ (Racking System 50cm)	4932478996	£000.00	€ 000,00	/

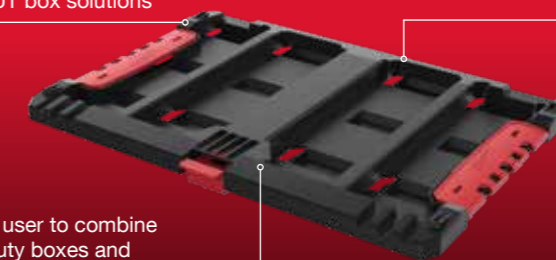


ADAPTOR HD BOX



Compatible with all PACKOUT box solutions

Enables user to combine heavy duty boxes and PACKOUT™ boxes for the most versatile storage solution



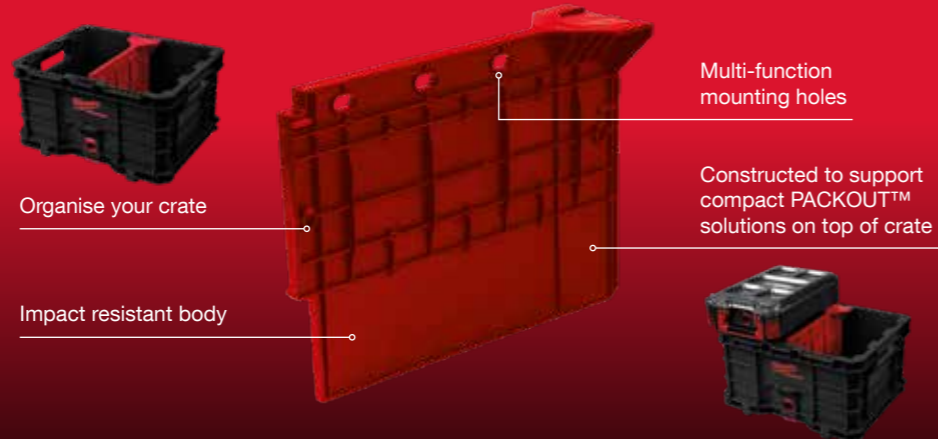
Impact resistant body for jobsite durability



DESCRIPTION	ART.#	PRICE (excl VAT)	PRICE (incl VAT)
PACKOUT™ Adapter HD Box	4932464081	£000.00	€ 000,00

COMPATIBLE WITH MILWAUKEE® HEAVY DUTY BOX
4932459751

CRATE DIVIDER


IMPACT RESISTANT BASE


DESCRIPTION	ART.#	PRICE (excl VAT)	PRICE (incl VAT)
PACKOUT™ Crate Divider	4932480624	£000.00	€ 000,00

TOOL TRAY


QUICK-ADJUST DIVIDERS

11KG CAPACITY


DESCRIPTION	ART.#	PRICE (excl VAT)	PRICE (incl VAT)
PACKOUT™ Tool Tray	4932480625	£000.00	€ 000,00

591ML TUMBLER


ALL DAY HOT & COLD RETENTION

TWIST TO LOCK

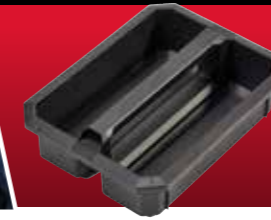
SMOOTH OPEN & CLOSE

ALSO AVAILABLE

887ML

DESCRIPTION	ART.#	PRICE (excl VAT)	PRICE (incl VAT)
PACKOUT™ Tumbler 591ml Red - 1pc	4932479074	£000.00	€ 000,00
PACKOUT™ Tumbler 887ml Red - 1pc	4932479075	£000.00	€ 000,00

REMOVABLE TRAYS



DESCRIPTION	ART.#	PRICE (excl VAT)	PRICE (incl VAT)
Removable Tray for PACKOUT™ Trolley Box and Large Box	4932478298	£000.00	€ 000,00



DESCRIPTION	ART.#	PRICE (excl VAT)	PRICE (incl VAT)
Removable Trays for PACKOUT™ Boxes	4932478299	£000.00	€ 000,00

REMOVABLE BINS



DESCRIPTION	ART.#	PRICE (excl VAT)	PRICE (incl VAT)
Removable Bins for PACKOUT™ Organiser and PACKOUT™ Compact Organiser	4932478300	£000.00	€ 000,00

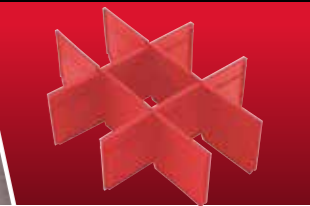


DESCRIPTION	ART.#	PRICE (excl VAT)	PRICE (incl VAT)
Removable Bins for PACKOUT™ Organiser and PACKOUT™ Compact Slim Organiser	4932478301	£000.00	€ 000,00

DRAWER DIVIDERS



DESCRIPTION	ART.#	PRICE (excl VAT)	PRICE (incl VAT)
Drawer Dividers for PACKOUT™ 3 Drawer Tool Box	4932479104	£000.00	€ 000,00



DESCRIPTION	ART.#	PRICE (excl VAT)	PRICE (incl VAT)
Drawer Dividers for PACKOUT™ 2 Drawer Tool Box	4932479105	£000.00	€ 000,00

FOAM INSERTS

ALSO AVAILABLE
FOAM INSERTS FOR PACKOUT TROLLEY

CUSTOMIZE YOUR INSERT


Foam Insert allows you to fully customise your storage by cutting out custom pockets to securely store and protect your tools

Allows easy access and organisation to the tools

Durable construction provides increased protection for tools


STEP ONE
Draw the shape of your product

STEP TWO
Cut the outline with a knife to desired depth

STEP THREE
Peel out the layer of the foam

STEP FOUR
Place your tool

DESCRIPTION	ART.#	PRICE (excl VAT)	PRICE (incl VAT)
PACKOUT™ Foam Inserts	4932471428	£000.00	€ 000,00
PACKOUT™ Trolley Foam Insert	4932471927	£000.00	€ 000,00
Foam Insert for PACKOUT™ Drawer Tool Boxes	4932479157	£000.00	€ 000,00

PACKOUT™ FOAM INSERT SETS

ULTIMATE ORGANISATION FOR PACKOUT 2 AND 3 DRAWERS

KEY FEATURES



PREMIUM FOAM
35KG/M3 DENSITY OF FOAM IMPROVES DURABILITY AND RESISTANCE TO ABRASION

LASER CUT SIZE LABELS
EASY, QUICK SIZE IDENTIFICATION

RED BACKGROUND
IMMEDIATE IDENTIFICATION OF MISSING TOOLS

CONVENIENT RECESSES
EASY AND QUICK REMOVAL TO TOOLS



DESCRIPTION	ART.#	PRICE (excl VAT)	PRICE (incl VAT)	SET INCLUDES
MAX BITE™ combination spanner and plier set foam insert	4932480715	€000.00	€000,00	<ul style="list-style-type: none"> 15 pc Maxbite Metric Combination Spanner set (Spanners: 8, 9, 10, 11, 12, 13, 14, 15, 16, 17, 18, 19, 20, 21, 22 mm) Long Nose Pliers - 1 pc 160 mm Diagonal Cutter - 1 pc 100 mm WP Plier - 1 pc 150 mm Adjustable Wrench - 1 pc



DESCRIPTION	ART.#	PRICE (excl VAT)	PRICE (incl VAT)	SET INCLUDES
1/4" Ratchet and Socket, Trilobe Screwdriver and Wrench Set Foam Insert	4932480717	€000.00	€000,00	<ul style="list-style-type: none"> 28 pc 1/4" Ratchet and Socket (Standard socket: 5 mm, 5.5 mm, 6 mm, 7 mm, 8 mm, 9 mm, 10 mm, 11 mm, 12 mm, 13 mm, 14 mm, 15 mm / Deep well sockets: 5 mm, 5.5 mm, 6 mm, 7 mm, 8 mm, 9 mm, 10 mm, 11 mm, 12 mm, 13 mm, 14 mm, 15 mm) 6 pc Trilobe Screwdrivers (SL3 / SL 4 / SL5 / SL 6 / PH 1 / PH 2) 250 mm Adjustable Wrench



DESCRIPTION	ART.#	PRICE (excl VAT)	PRICE (incl VAT)	SET INCLUDES
1/2" Ratchet and Socket and Hex Key Set Foam Insert	4932480716	€000.00	€000,00	<ul style="list-style-type: none"> Standard sockets: 10 mm, 11 mm, 12 mm, 13 mm, 14 mm, 15 mm, 16 mm, 17 mm, 18 mm, 19 mm, 20 mm, 21 mm, 22 mm, 23 mm, 24 mm / Deep well sockets: 10 mm, 11 mm, 12 mm, 13 mm, 14 mm, 15 mm, 16 mm, 17 mm, 18 mm, 19 mm SHOCKWAVE™ Torx screwdriving bits: 31 x 25 mm length: 2 x TX10 / 4 x TX15 / 5 x TX20 / 5 x TX25 / 5 x TX30 / 2 x TX40 / 1 x TX50, 1 x TX B07 / 1 x TX B08 / 1 x TX B09 / 1 x TX B010 / 1 x TX B015 / 1 x TX B020 / 1 x TX B025. 1 x SHOCKWAVE™ locking bit holder 1/4" Hex reception 73 mm long



PACKOUT™ ORGANISER SETS

EXPLORE FIRST AID CONTENT

4932478879 / 4932479638



PACKOUT™
FIRST AID KITS



FULL RANGE SETS PERFECTLY ORGANISED



SCAN NOW TO EXPLORE
**HOLEDZOER™
TECHNOLOGY**



DESCRIPTION	ART.#	PRICE (excl VAT)	PRICE (incl VAT)
HOLE DOZER™ Bi-Metal Holesaws PACKOUT™ Kits	4932472248	€000.00	€000,00



SCAN NOW TO EXPLORE
RATCHET AND SOCKET SETS
**SHOCKWAVE™
TECHNOLOGY**



DESCRIPTION	ART.#	PRICE (excl VAT)	PRICE (incl VAT)
1/2" PACKOUT™ IMPACT SOCKET SET -16PC	4932480943	€000.00	€000,00
3/8" PACKOUT™ IMPACT SOCKET SET -19PC	4932480946	€000.00	€000,00



SCAN NOW TO EXPLORE
**THE RATCHET AND
SOCKET SETS**



DESCRIPTION	ART.#	PRICE (excl VAT)	PRICE (incl VAT)
1/4" METRIC 28 PC RATCHET & SOCKET PACKOUT SET	4932478812	€000.00	€000,00
3/8" METRIC 32 PC RATCHET & SOCKET PACKOUT SET	4932478813	€000.00	€000,00

PACKOUT™ POWERTOOLS

A NEW LEVEL OF JOBSITE PRODUCTIVITY

M18™ RADIO + CHARGER

M18

Premium 360° surround sound speakers with a 40 W amplifier producing rich and full sound for large and outdoor spaces

Modular connectivity with all PACKOUT™ components

Subwoofer + passive radiator

Full work day run time coverage with M18™ 5.0 Ah battery pack

Tweeters & full range speakers

Full range connectivity: Bluetooth® 4.2, AUX and AM/FM

Built in charger function for quick and convenient charging of any M18™ battery or electric devices via USB port

IP57 in battery mode - making the radio dust and splashing water resistant

DESCRIPTION	ART.#	PRICE (excl VAT)	PRICE (incl VAT)
M18™ PACKOUT™ Radio + Charger	4933472113	€000.00	€ 000,00

360 SOUND

POWERED BY



PACKOUT™
COMPATIBLE



SCAN HERE TO
WATCH VIDEO

M18™ LIGHT/CHARGER

M18

All three independent pivot light heads combined provide up to 12 hours of run time on a M18™ REDLITHIUM™ 5.0 Ah battery pack

3000 LUMENS

Modular connectivity with all PACKOUT™ components

Pathway Lighting

Low battery indicator, light flashes when battery pack is low on charge

Built in charger function for quick and convenient charging of any M18™ battery or electric devices via the 2.1 AMP USB output port

Storage compartment for devices and small items

IP54: water and dust resistant

9 total output modes to manage output or run time



DESCRIPTION	ART.#	PRICE (excl VAT)	PRICE (incl VAT)
M18™ PACKOUT™ Area Light Charger	4933479583	£000.00	€ 000,00

TRUEVIEW™

POWERED BY



PACKOUT™
COMPATIBLE



SCAN HERE TO
WATCH VIDEO

M18 FUEL™ 2.5 GALLON WET/DRY VACUUM

M18 FUEL

All product accessories are stored inside the tool

2.5 Gallon capacity

Extendable hose up to 1.6 m for extended reach and versatility

The DEK 26 power tool connector allows for efficient dust extraction from power tools

POWERSTATE™ brushless motor delivers powerful performance to easily clean up common wet and dry jobsite debris

Modular connectivity with all PACKOUT™ components

The highly efficient HEPA filter collects 99.97 % of airborne particles down to 0.3 microns

Delivers up to 30 minutes of run time on a HIGH OUTPUT™ 8.0 Ah battery pack in high mode and over 50 minutes in low mode



DESCRIPTION	ART.#	PRICE (excl VAT)	PRICE (incl VAT)
M18 FUEL™ PACKOUT™ Wet/Dry Vacuum	4933478187	£000.00	€ 000,00

POWERED BY



PACKOUT™
COMPATIBLE



SCAN HERE TO
WATCH VIDEO

PACKOUT™ SHOP STORAGE

A NEW LEVEL OF JOBSITE ORGANISATION

STORAGE HOOKS

STRAIGHT UTILITY HOOK

- MOST SECURE MOUNTING**
- IMPACT RESISTANT BODY**
- REINFORCED HOOK**

Secured mounting when locked with PACKOUT™ mounting plates



Impact resistant body for jobsite durability

Metal Reinforced frame to maintain shape

ALSO AVAILABLE

- WIDE HOOK**
- 6" CURVED HOOK**
- 4" STRAIGHT HOOK**
- 3" CURVED HOOK**
- 4" S-HOOK**

DESCRIPTION	ART.#	PRICE (excl VAT)	PRICE (incl VAT)
PACKOUT™ Straight Utility Hook	4932480700	£000.00	€ 000,00
PACKOUT™ Curved Utility Hook	4932480701	£000.00	€ 000,00
PACKOUT™ Large Hook	4932480702	£000.00	€ 000,00
PACKOUT™ Large S Hook	4932480703	£000.00	€ 000,00
PACKOUT™ Small Straight Utility Hook	4932480704	£000.00	€ 000,00
PACKOUT™ Small Curved Utility Hook	4932480705	£000.00	€ 000,00

STORAGE RACKS

SCREWDRIVER RACK

- MOST SECURE MOUNTING**
- 34 MULTI SIZE SLOTS**
- IMPACT RESISTANT BODY**



Impact resistant body for jobsite durability

9kg weight capacity

Can store tri-lobe screwdrivers, VDE tri-lobe screwdrivers and precision screwdrivers

Secured mounting when locked with PACKOUT™ mounting plates

STORES

Screwdrivers ✓

DESCRIPTION	ART.#	PRICE (excl VAT)	PRICE (incl VAT)
PACKOUT™ Screwdriver Rack	4932480711	£000.00	€ 000,00

PLIERS RACK

- MOST SECURE MOUNTING**
- IMPACT RESISTANT BODY**
- MOST SECURE MOUNTING**



Metal bars to maintain shape

9kg weight capacity

Impact resistant body

Secured mounting when locked with PACKOUT™ mounting plates

STORES

Pliers ✓

Snips ✓

+ MORE

DESCRIPTION	ART.#	PRICE (excl VAT)	PRICE (incl VAT)
PACKOUT™ Pliers Rack	4932480710	£000.00	€ 000,00

COMPACT SHELF

- MOST SECURE MOUNTING**
- IMPACT RESISTANT BODY**
- 10KG CAPACITY**



10kg weight capacity

Impact resistant body for jobsite durability

Secured mounting when locked with PACKOUT™ mounting plates

STORES

Can of paint ✓

Storage bins ✓

+ MORE

DESCRIPTION	ART.#	PRICE (excl VAT)	PRICE (incl VAT)
PACKOUT Small Shelf	4932480713	£000.00	€ 000,00

CUP HOLDER



Secured mounting when locked with PACKOUT™ mounting plates

7kg weight capacity



Impact resistant body for jobsite durability

Perfect for storing the PACKOUT™ Tumblers, INKZALL™ pens and other smaller hand tools

STORES

- Tumblers ✓
- INKZALL™ pens ✓

+ MORE



DESCRIPTION	ART.#	PRICE (excl VAT)	PRICE (incl VAT)
PACKOUT™ Cup Holder	4932480706	£000.00	€ 000,00

ROLL HOLDER



Quick roll replacement latch

7kg weight capacity



Secured mounting when locked with PACKOUT™ mounting plates

Impact resistant body for jobsite durability

STORES

- Shop towels ✓
- Duct tape ✓

+ MORE



DESCRIPTION	ART.#	PRICE (excl VAT)	PRICE (incl VAT)
PACKOUT™ Paper Towel Holder	4932480707	£000.00	€ 000,00

BIN SETS

COMPATIBLE WITH PACKOUT™ ORGANISERS

ALSO AVAILABLE

10 X 20CM BIN



10 X 10CM



Interior organisation dividers

Stores in:

- PACKOUT™ Organiser
- PACKOUT™ Compact Organiser



Interior organisation tray

Hangs on PACKOUT™ plates

Impact resistant body

DESCRIPTION	ART.#	PRICE (excl VAT)	PRICE (incl VAT)	CONTENTS INCLUDE
PACKOUT™ 10x20cm Nest Bin	4932480699	£000.00	€ 000,00	• x2 Interior organisation trays • x6 Interior removable dividers
PACKOUT™ 10x10cm Nest Bin	4932480698	£000.00	€ 000,00	• x2 Interior organisation trays • x2 Interior removable dividers

BATTERY HOLDERS

M12™ BATTERY RACK



Stores up to four M12™ batteries

Impact resistant body for jobsite durability

Clip-in battery storage for battery security and safety



M12


STORES

- X4 M12™ Batteries ✓

FITS ALL M12™ BATTERIES

DESCRIPTION	ART.#	PRICE (excl VAT)	PRICE (incl VAT)
PACKOUT™ M12™ Battery Holder	4932480708	£000.00	€ 000,00

M18™ BATTERY PACK



Stores up to four M18™ batteries

Impact resistant body for jobsite durability

Clip-in battery storage for battery security and safety



M18


STORES

- X4 M18™ Batteries ✓

FITS ALL M18™ BATTERIES

DESCRIPTION	ART.#	PRICE (excl VAT)	PRICE (incl VAT)
PACKOUT™ M18™ Battery Holder	4932480709	£000.00	€ 000,00

STORAGE STATIONS

DRILL STORAGE STATION



Stores two power tools

Impact resistant body for jobsite durability



Storage space above to hold batteries and chargers or other power tools

11kg weight capacity

Secured mounting when locked with PACKOUT™ mounting plates

STORES

- Drills ✓
- Impact wrenches ✓

+ MORE

DESCRIPTION	ART.#	PRICE (excl VAT)	PRICE (incl VAT)
PACKOUT™ Drill Storage Station	4932480712	£000.00	€ 000,00

LONG HANDLE STORAGE STATION



MOST SECURE MOUNTING



QUICK ACCESS TOOL CLAMPS



ANTI-SLIP RUBBER GRIPS



23kg weight capacity

Secured mounting when locked with PACKOUT™ mounting plates

Impact resistant body for jobsite durability

Anti-slip rubber grips to store tools effectively

STORES

Outdoor power equipment ✓

+ MORE



DESCRIPTION	ART.#	PRICE (excl VAT)	PRICE (incl VAT)
PACKOUT™ Long Handled Storage	4932480714	€000.00	€ 000,00



VIRTUALLY BUILD YOUR OWN PACKOUT™ SHOP SYSTEM



SIGN-UP TO HEAVY DUTY NEWS AND KEEP UP TO DATE WITH THE LATEST PACKOUT™ PRODUCTS





Nothing but **HEAVY DUTY.**[™]

Techtronic Industries GmbH

Max-Eyth-Str. 10
D-71364 Winnenden
Germany
Tel. +49 7195 120
Fax +49 7195 666

Distributed by:

All data incl. service and warranty conditions as well as product range are subject to change without notice. Pictures not binding. No liability for printing errors or mistakes. (4939 6986 00) – 01/20 – Copyright 2020 – Milwaukee Electric Tool

PACKOUT[™]

2022/23
SYSTEM RANGE

